

# Cobra 550 Glazing Robot

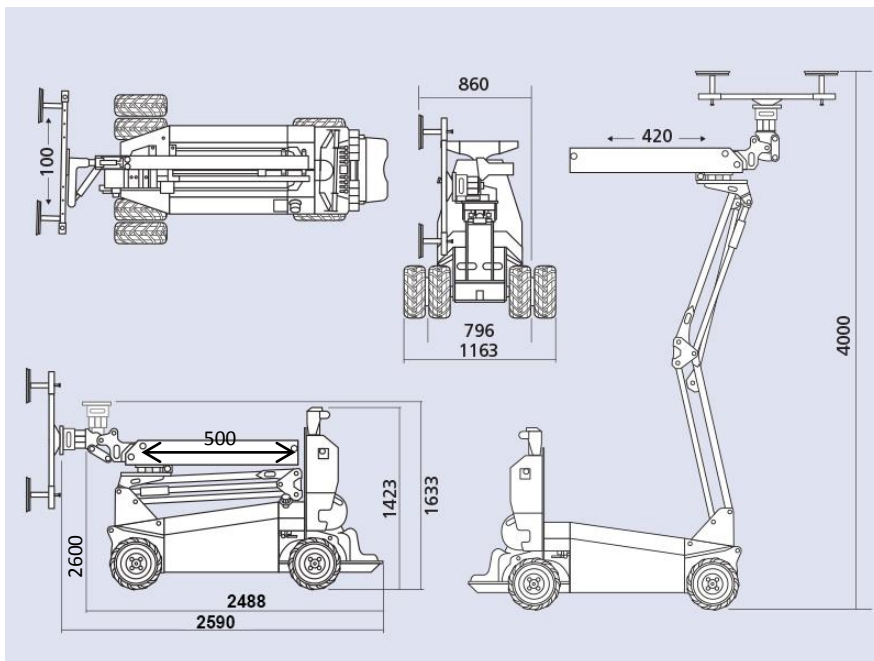
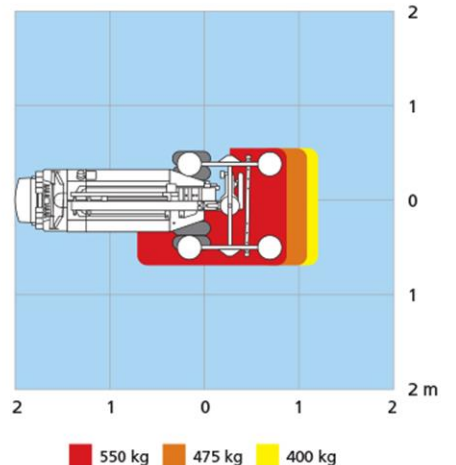
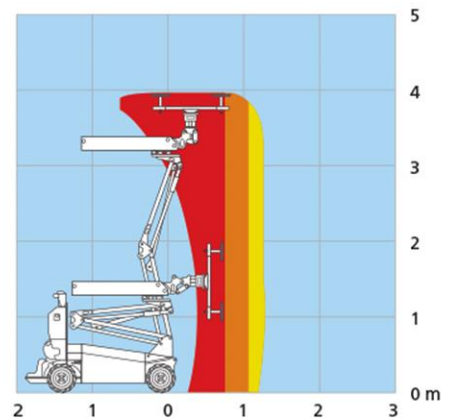
[GRG16]

The Cobra 550 is a highly adaptable glazing robot that is able to install material from glass to granite, heavy fire doors and other various materials with precision. With a capacity of 550kg, the Cobra 550 can lift materials from floor level up to four metres in a fully parallel operation.

Featuring a powerful hydrostatic drive and large front twin wheels, the Cobra 550 is suitable to operate across all kinds of terrains. Its compact 800mm width and 1425mm height means that this glazing robot can fit through narrow doors and hallways with ease. The Cobra 550 is fitted with a 490Ah battery which can be fully charged in up to 5 hours.



Technical Specification	
Carrying capacity	550kg
Tare weight	1450kg Inc. 200kg counterweight
Installation Height	4000mm overhead, 3500mm vertical installation
Tilt	180°
Precision Installation	Boom+/- 500mm in and out Parallel side shift - 100mm left and right
Front & Rear Wheels	Foam-filled
Charging Power	230 or 115v
Battery (std.)	24v 490Ah (2 x 12v)
Charging time	10-100% 5 hours
Charging time	25-70% 2 hours



**SOUTH** Units 8 - 10 Ridgeway  
Drakes Drive  
Long Crendon Industrial Estate  
Bucks · HP18 9BF · UK  
**PHONE** +44 (0)1844 202 071  
**FAX** +44 (0)1844 202 075

**NORTH** Presentation House  
Broadgate  
Broadway Business Park  
Oldham · OL9 0JA · UK  
**PHONE** +44 (0)161 683 2580  
**FAX** +44 (0)161 683 4444

**SCOTLAND** Unit 11 · 3rd Road  
Blantyre Industrial Estate  
Blantyre  
Glasgow · G72 0UP · UK  
**PHONE** +44 (0)1698 824 444  
**FAX** +44 (0)1698 824 488

**EMAIL** info@ggrgroup.com  
**WEB** www.ggrgroup.com

GGR Group Limited  
Company Registration Number 04901075  
VAT Registration Number 989811160