

Pick & Carry Cranes

Massive 25 Tonne Lifti

GF250 Pick & Carry Crane [25.0t x 1.5m]

With a massive 25 tonne working load, the GF250 sets the standard of lifting as the highest capacity pick and carry crane in GGR's range.

A modern day alternative to the iron fairy crane, the GF250 is capable of lifting 25 tonnes to a radius of 1.5m and is the perfect choice for heavy duty lifting in workshops, yards, marinas, aircraft hangers, factories, construction sites and more.

For added lifting flexibility the GF250 pick and carry crane comes with an optional searcher hook, providing an overall lifting height of 14.2m. This crane also features rear hydraulic steering with directional drive motors on the front axle to reduce the turning circle and optional diesel engine.

The GF250 also features a remote control drive to enable the operator to see around the load.

Reference Code

MCGF250

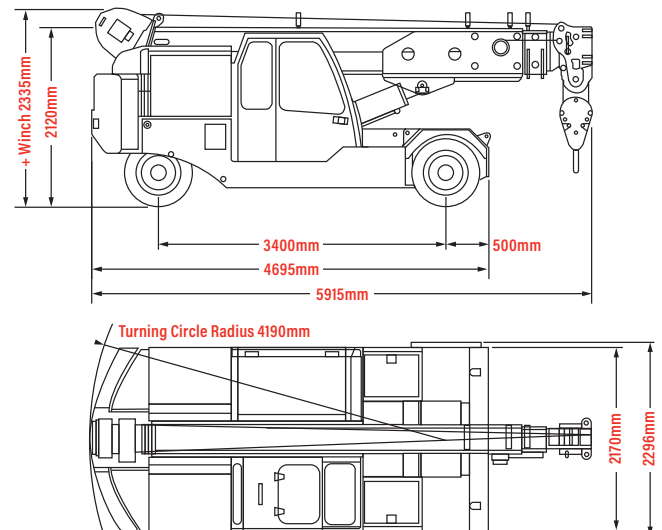


GF250 Pick & Carry Crane lifting with a rhino hook (Capacity: 16800kg).

Technical Specification

Capacity	25.0t x 1.5m
Maximum working radius	7.5m (10.6m with searcher hook)
Maximum lifting height	10.8m (14.2m with searcher hook)
Dimensions	5915mm (l) x 2296mm (w) x 2335mm (h)
Weight	26,000kg
Boom length	4.9 - 11m
Boom type	3 section box boom (1+2+3 hydraulic)
Derricking angle	-5° to 62°
Steering	Rear hydraulic 180° and directional front
Tyres	2 solid rear, 4 solid front
Electric power option	30kW
Power source	96v rechargeable battery
Battery charger	415v (32amp supply required)
Travel speed	6km/h
Gradeability	±11.3° (without load)
Standard equipment	Digital safe load indicator, joystick controlled proportional distributor, audio-visual overload alarm, reversing alarm, overload warning lamps, seat and seatbelt sensor, emergency stop button
Optional equipment	Diesel engine, 16.8t rhino hook, 9t hydraulic searcher hook, full 6-fall 25t winch system, hook block stop, radio remote control, low marking tyres, rear view camera

Technical Data (approx. mm)



Standard radio remote



GGR GROUP

SALES & HIRE

Optional rhino hook
(Capacity 16800kg)



Optional hydraulic searcher hook
(Capacity: 9000kg)



The GF250 optionally features a rear view camera for safety when moving on-site.

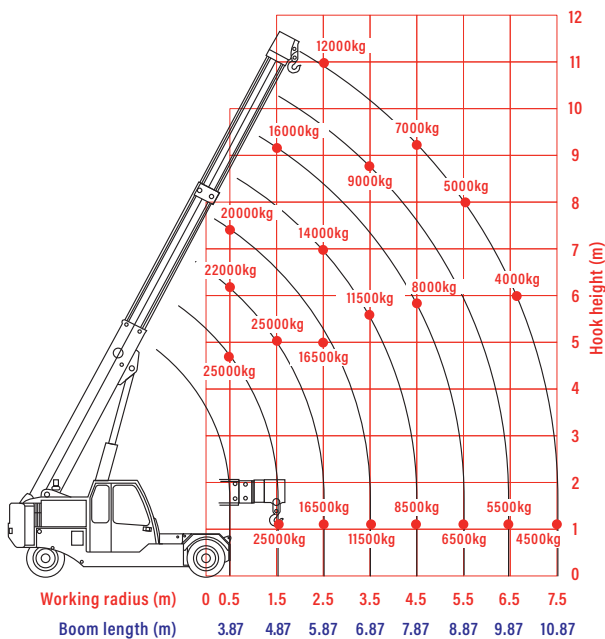


GF250 Pick & Carry Crane

Searcher Hook Safe Working Loads

Hook	Max. Capacity	Max. Lift Height	Max. Radius
Hydraulic searcher hook	9000kg	14.2m	10.6m
Rhino hook	16800kg	11.9m	8.3m
Winch system	25000kg	10.8m	7.5m

Rated Loads



Hydraulic Searcher Hook Rated Loads Chart

