

Flexible Robotic Manipu

GL-UMC600 Glazing Manipulator Head [600kg]

Delivering the ultimate combination of reach and precision engineering, the GL-UMC600 is a state-of-the-art robotic attachment designed to work in conjunction with our UNIC spider crane range.

The GL-UMC600 robotic head is an excellent device for lifting and manipulating large glass units weighing up to 600kg. When the GL-UMC600 is attached to a compact mini crane, customers have the added advantage of extended boom reach for easy glazing at height.

The highly flexible GL-UMC600 is designed to attach directly to the UNIC crane's boom and is independently powered with electric actuators that allow precise movement of glass loads. This attachment comes with 360° continuous rotation, 35° head slew left and right, 120° tilt and can be operated via its own radio remote control.

Reference Code

VGL103D



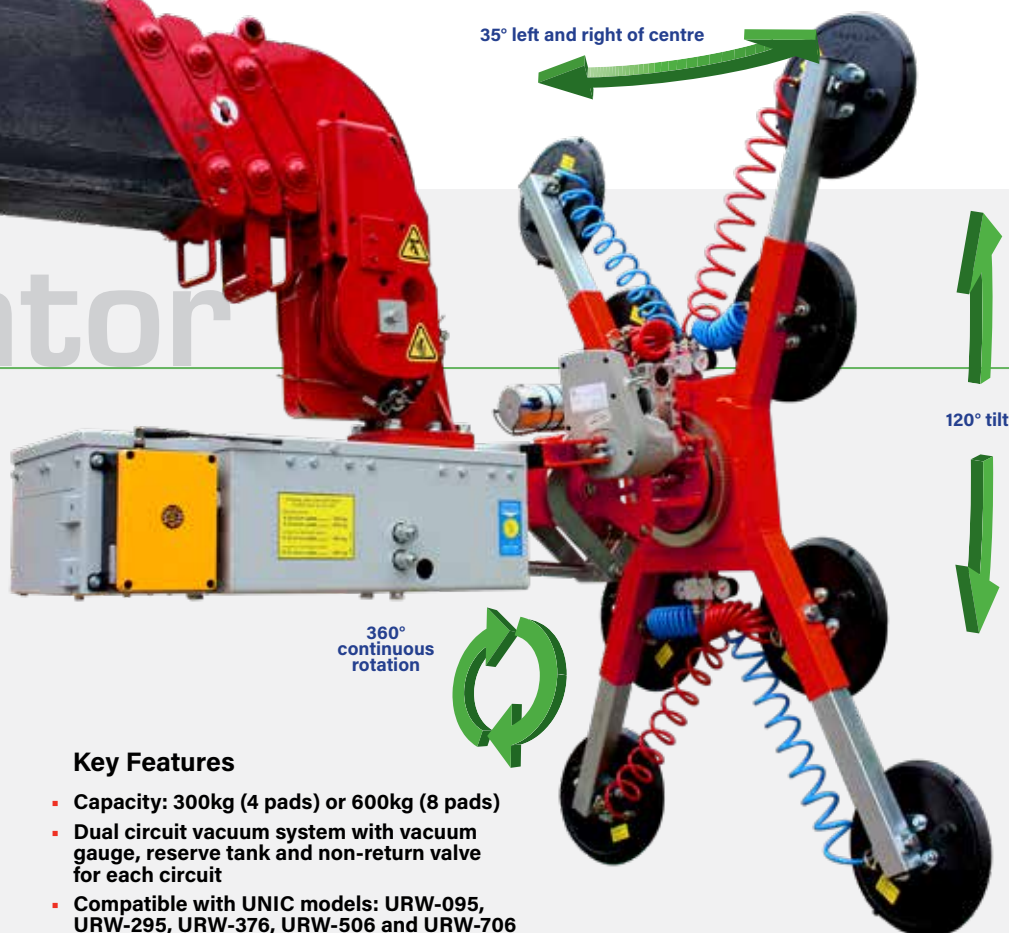
Radio remote control as standard



Technical Specifications

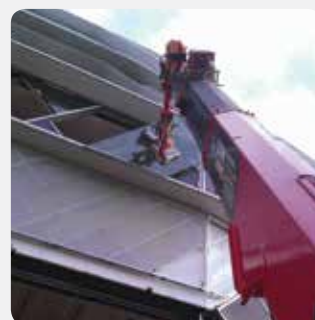
Safe working load	capacity:	300-600kg depending on configuration
Suitable for lifting	material properties: surface: example:	gastight / non-porous smooth glass, plastic boards, ceramic plates, sheet metals, coated boards
Weight	approx:	145kg
Depth	depth:	1250mm
Length	length:	850-1770mm
Height	height:	750-1180mm
Number of suction cups	cups:	4 or 8 depending on configuration
Powered head tilt	powered head tilt:	120°
Powered pad frame rotation	rotation:	360° continuous
Powered head slew	left & right:	35° left & right
Vacuum system	dual circuit:	2 pumps, 2 vacuum reserve tanks
Power requirements	head and vacuum:	On-board 24v battery pack powers both robotic head and vacuum system operation. Rechargeable by 110/240v charger, spare battery included for quick change
Standard accessories	standard:	Radio remote control, four extension arms with four pads, battery gauge, green "safe to lift" light, external battery pack and charger,
Optional accessories	optional:	Curved frame (available on request)

Note: For individual rated loads please see our UNIC mini cranes section starting at page 267

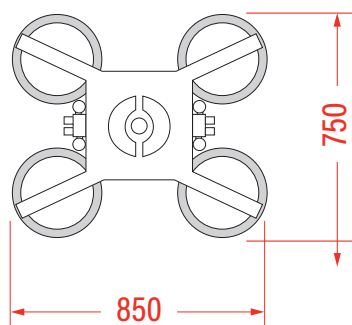


Key Features

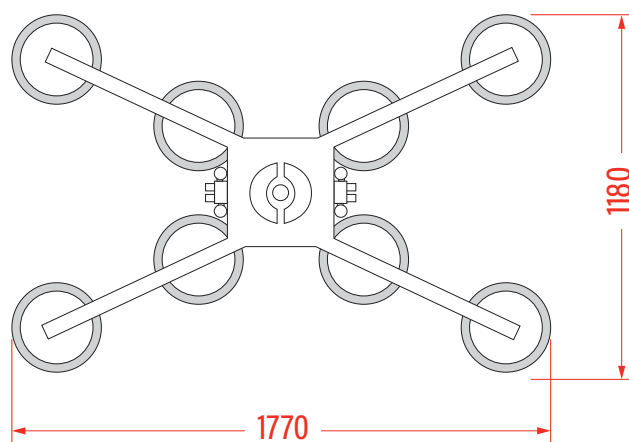
- Capacity: 300kg (4 pads) or 600kg (8 pads)
- Dual circuit vacuum system with vacuum gauge, reserve tank and non-return valve for each circuit
- Compatible with UNIC models: URW-095, URW-295, URW-376, URW-506 and URW-706
- Unique, patented head allows a unit to be manipulated with ease through:
 - 35° left and right of centre
 - 120° tilt
 - 360° continuous rotation
- Audio-visual low vacuum warning
- Extension arms available for lifting larger loads
- Power supply: 24V rechargeable battery with spare quick change battery
- Weight: 145kg



Technical Data (mm)



300kg capacity
(4 pads)



600kg capacity
(8 pads)