

## Slewboy 500 [500kg]

The Slewboy 500 floor crane is the ideal machine for glass installation projects including shopfronts, office partitions and fitting glazing below low level overhangs.

At just 980mm wide, this innovative crane benefits from a slewing arm enabling it to operate at 180°, allowing for the rotation of loads 90° left and right and is lockable at every 45°. The addition of a slewing arm allows the Slewboy 500 to operate in confined and restricted access areas such as corridors and narrow access points where similar floor cranes cannot.

This 500kg capacity counterbalance crane benefits from removable weights and can easily be transported by forklift or crane to its working area. The Slewboy 500 is suitable for use with GGR Group's below the hook vacuum lifters for precision installation when lifting glass loads in to position.

### Reference Code

MCO24

### Technical Specifications

	Short Arm Capacity	Short Arm Extension	Long Arm Capacity	Long Arm Extension
<b>Position 1</b>	500kg	375mm	220kg	920mm
<b>Position 2</b>	420kg	510mm	200kg	1055mm
<b>Position 3</b>	370kg	645mm	180kg	1190mm
<b>Position 4</b>	320kg	780mm	160kg	1325mm
<b>Weight (without counterweights)</b>	276kg			
<b>Weight (with counterweights)</b>	562kg			
<b>Counterweights</b>	13			



Lifting Solutions

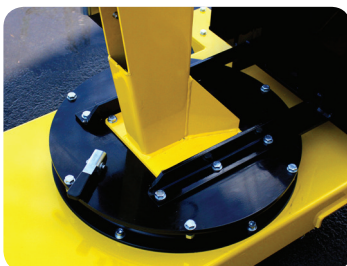


The Slewboy 500 features an optional long arm extension for further reach at a reduced capacity.



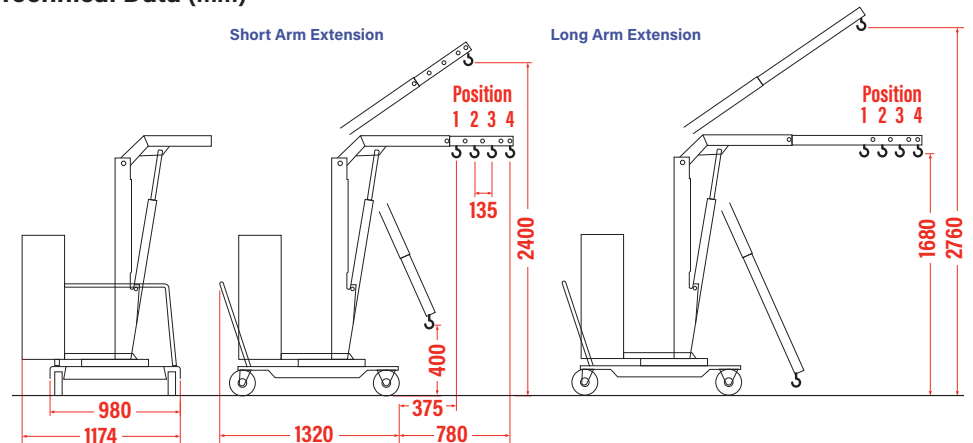
The boom of the Slewboy 500 is raised and lowered via a hydraulic pump and release wheel.

Thirteen removable counterweights help keep the Slewboy 500 grounded.



Featuring rotation of 90° left and right from centre, lockable every 45°.

### Technical Data (mm)



Note: Counterweights must be secured before lifting