

Our Largest Capacity

Libro 12000 [12000kg]

The 12000kg capacity Libro 12000 is designed to be attached to mobile cranes and tower cranes at height. This counterweight balancer is capable of installing glass, cladding, curtain walling and balconies below overhangs of up to 4000mm deep.

The Libro 12000 is fitted with a rechargeable battery to power the adjustable counterweight rack and pinion saddle. Controlled by cable remote, the counterweight saddle can be moved along the beam to balance the load being lifted.

With a safety feature preventing the main beam going beyond a +/- 10° incline, the Libro 12000 overhang beam also features an integrated hook and can be used with a below-the-hook vacuum lifter, which are also offered for hire or sale from the GGR Group*.

Key Features

- Capacity: 12000kg
- Suitable for overhangs up to 4m deep
- Hook attachment
- Cable remote control for counterweight saddle
- 24V DC battery with separate 110/240v charger

Reference Code

VOB12000



Technical Specifications

Safe working load	capacity:	12000kg
Weight	weight:	7500kg (with counterweights) 340kg (stand)
Depth of overhang	depth:	4000mm
Balance control	control:	rack and pinion counterweight saddle
Power requirements	power:	24V DC rechargeable battery 110/240v battery charger
Standard accessories	standard:	cable remote control to operate counterweight saddle
Optional accessories	optional:	radio remote control

Capacities At Each Working Length

Length (mm)	Capacity (kg)	Weight Trolley Position
2500mm	12000kg	1
2750mm	10350kg	2
3000mm	9000kg	3
3250mm	7800kg	4
3500mm	6800kg	5
3750mm	5900kg	6
4000mm	5150kg	7

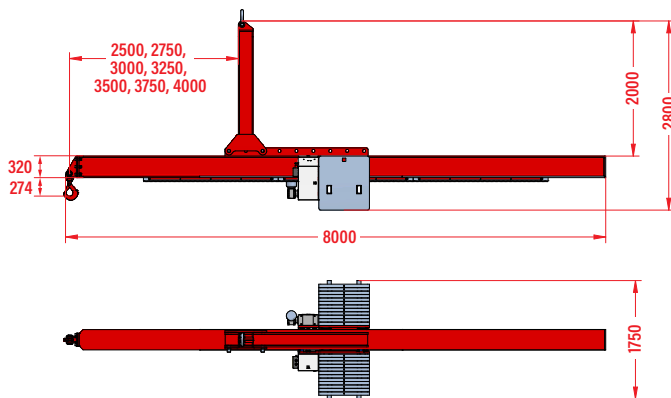
*use of below-the-hook vacuum lifters depend on type of project.

Overhang Beam

Libro 12000



Technical Data (mm)



Mounting Frame Technical Data (mm)

