

# Trailer, Special Use & Crawler Cranes

## Setting A New Standard

### TMC 525 Articulated Crawler Crane [14t x 3.01m]

The class beating TMC 525 provides the ultimate combination of heavy lifting power and unbeatable performance. Its lightweight and compact size means the TMC 525 can conduct lifting operations in areas where similar cranes cannot.

This mini crane boasts a lifting power of 14.4 tonnes, with a maximum lift height of up to 32 metres maximum at 580kg capacity.

The TMC 525 benefits from a continuous 360 rotation for maximum control and placement of loads and can travel and operate on rough and uneven terrain, including slopes.

The multifunctional radio remote control provides real time data during lifting operations and provides better visibility for operators for safer proximity and precise placement of loads where required.

#### Reference Code

TMC525



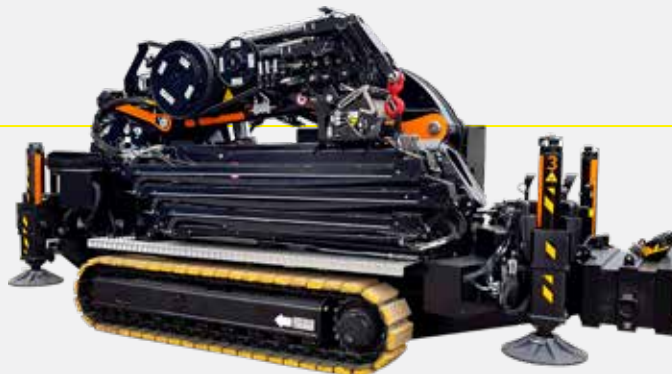
#### Technical Specifications

<b>Maximum capacity</b>	capacity:	14t x 3.01m
<b>Maximum outreach</b>	outreach:	16.85m (29.4m with six section jib)
<b>Maximum hook height</b>	height:	20m (32.5m with six section jib)
<b>Slewing angle/speed</b>	slewing:	360° (continuous) 1.5 min rpm
<b>Winch</b>	first layer pull: rope length: speed :	1900kg 90m 50m/min
<b>Weight</b>	crane:	13200kg, (1000kg jib), (200kg electric motor), (250kg winch), (3800kg mobile ballast), (135kg rubber pads)
<b>Traction system</b>	speed: gradeability: max pressure: track width: max outrigger load:	1.2-2.2km/h 25° 1.05kg/cm <sup>2</sup> 350mm 18000 daN
<b>Engine</b>	fuel: max power: max torque: tank capacity:	diesel 55kw/74.8Hp 240Nm 75 litres
<b>Standard equipment</b>	standard:	radio remote control with display, winch fixings, jib fixings, two man basket fixings, removable ballast, auto-diagnostic, electronic limited device
<b>Optional equipment</b>	optional:	hydraulic jib, manual extensions, lowered hook connections, lowered connections for glass vacuum lifters, two man basket, direct pull winch, led working lamps, towing winch, electric generator, removable large box, removable load pads, bigger outrigger plates, low marking rubber pads, rubber pads, green oil



The TMC 525 radio remote control with digital feedback.

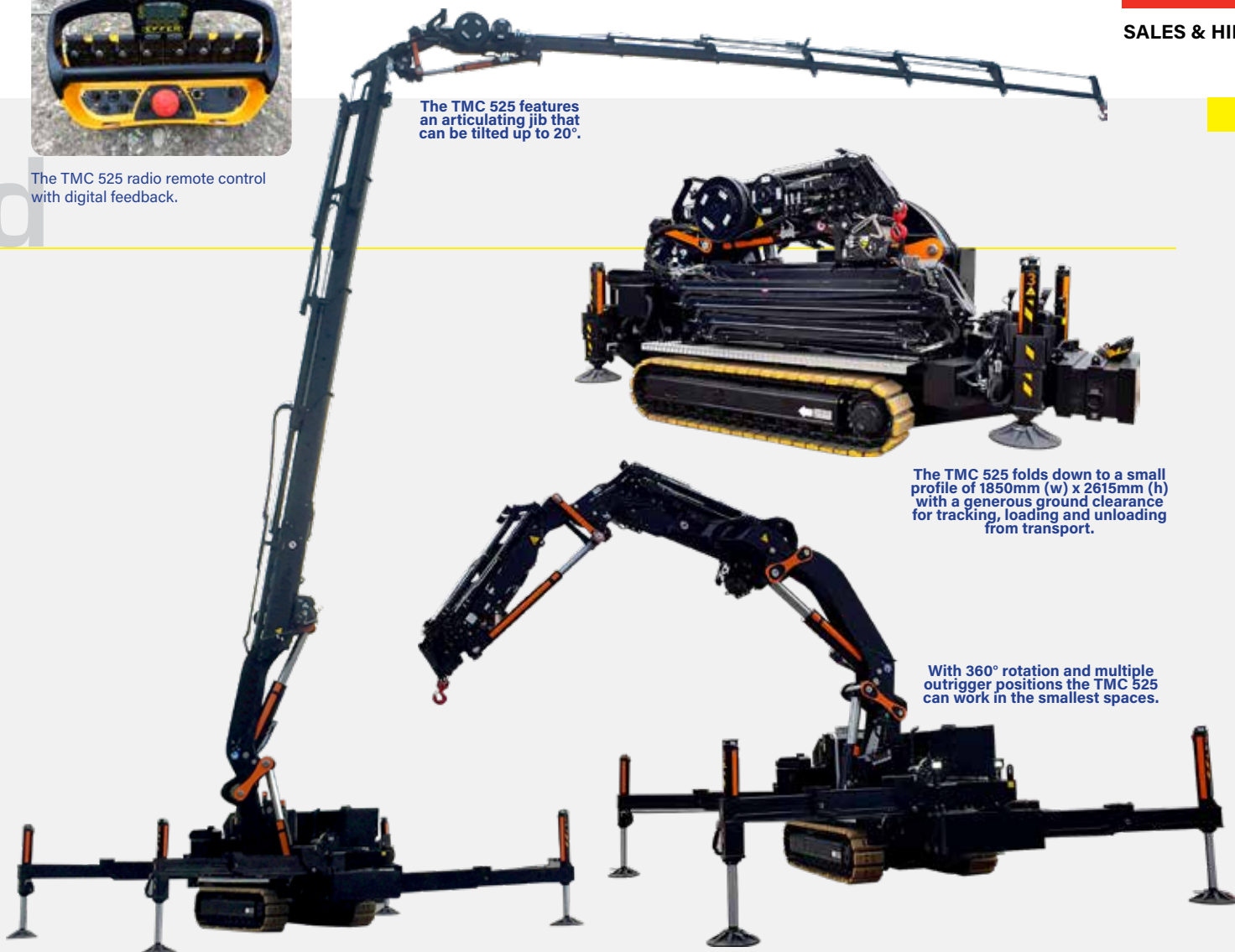
The TMC 525 features an articulating jib that can be tilted up to 20°.



The TMC 525 folds down to a small profile of 1850mm (w) x 2615mm (h) with a generous ground clearance for tracking, loading and unloading from transport.

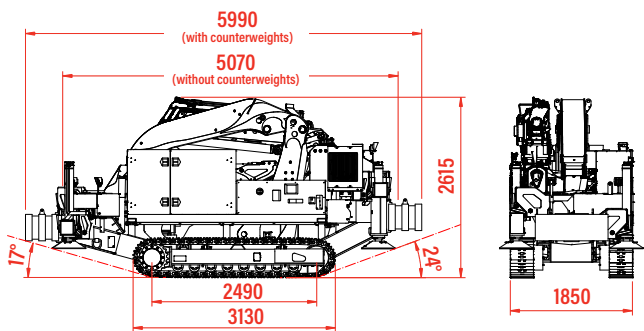


With 360° rotation and multiple outrigger positions the TMC 525 can work in the smallest spaces.

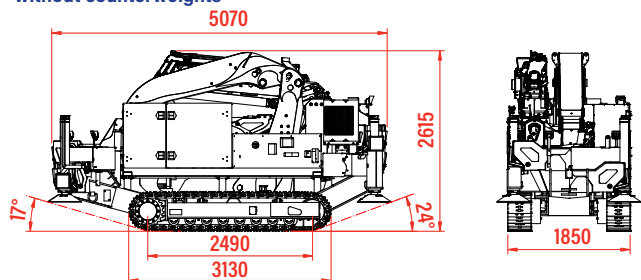


TMC 525 Articulated Crawler Crane

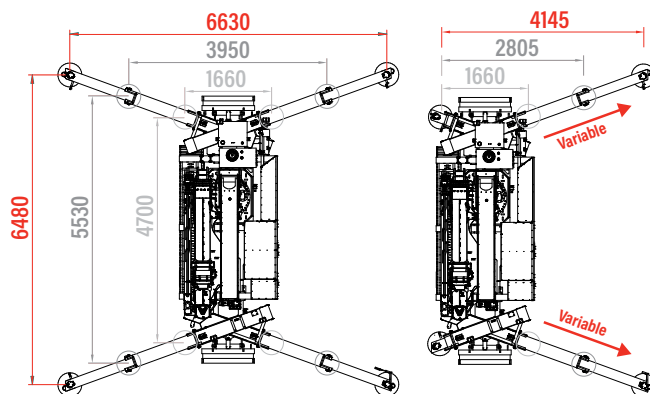
**Technical Data (mm)**  
with counterweights



without counterweights



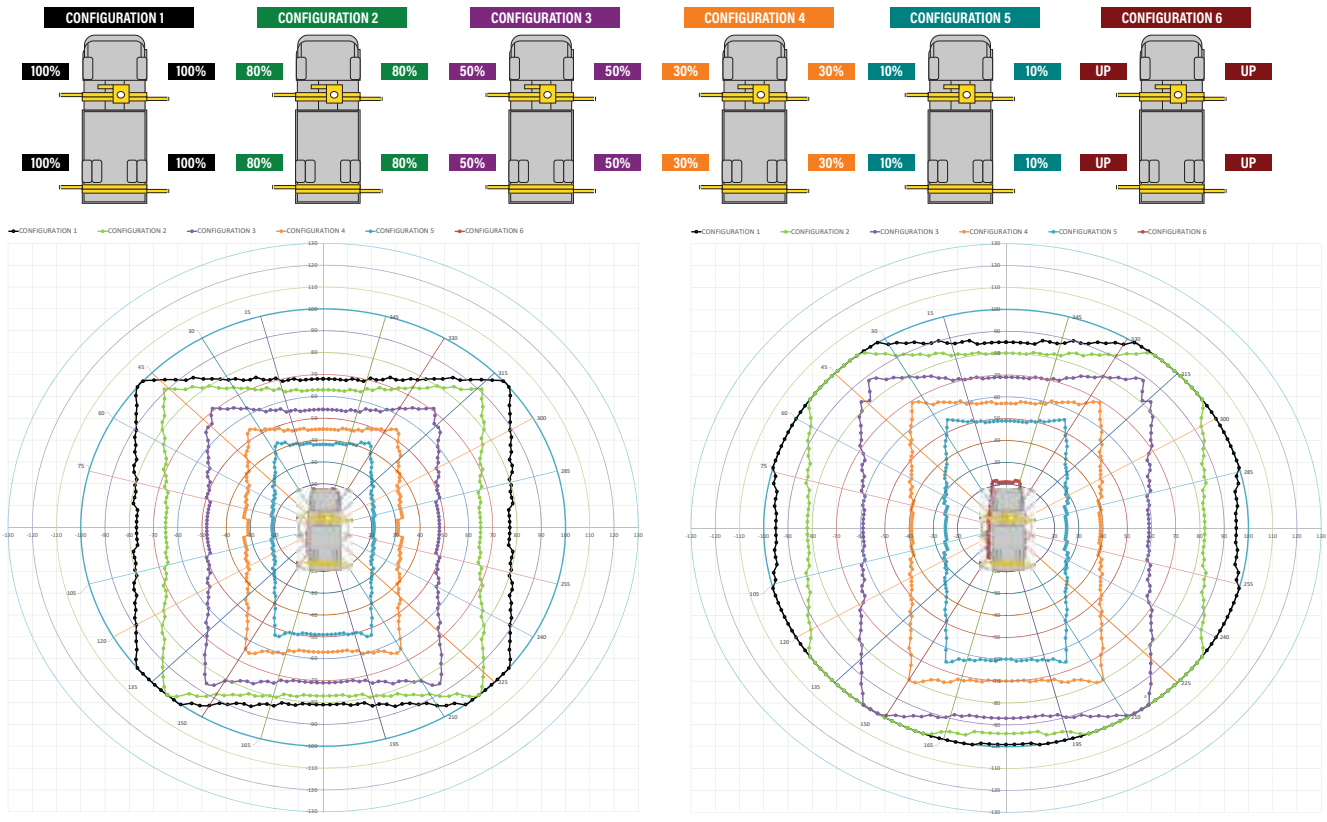
**Outrigger Dimensions (mm)**







**Performance Charts**



Data shown with jib mounted and **NO** ballast weights

Data shown with jib mounted and a ballast weight of 3600kg

**Load Table At Fixed Performances**

Boom Stages		Main Boom	1 hyd. boom	2 hyd. boom	3 hyd. boom	4 hyd. boom	5 hyd. boom	6 hyd. boom	3rd boom	1 jib hyd. boom	2 jib hyd. boom	3 jib hyd. boom	4 jib hyd. boom	5 jib hyd. boom	6 jib hyd. boom
% perf = 100%	Load	9570kg	6650kg	4945kg	3870kg	3165kg	2660kg	2305kg	1035kg	925kg	830kg	750kg	685kg	640kg	580kg
	Outreach	4.75m	6.58m	8.51m	10.5m	12.5m	14.66m	16.8m	19.7m	21.15m	22.81m	24.44m	26.07m	27.7m	29.37m
% perf 90	Load	8460kg	5840kg	4310kg	3350kg	2720kg	2280kg	1980kg	730kg	640kg	560kg	500kg	460kg	420kg	400kg
% perf 80	Load	7350kg	5020kg	3670kg	2830kg	2280kg	1910kg	1650kg	460kg	390kg	330kg	290kg	250kg	230kg	210kg
% perf 70	Load	6240kg	4200kg	3030kg	2310kg	1840kg	1530kg	1320kg	190kg	140kg	100kg	70kg	50kg	40kg	30kg
% perf 60	Load	5130kg	3380kg	2390kg	1790kg	1410kg	1150kg	990kg							
% perf 50	Load	4020kg	2570kg	1750kg	1260kg	970kg	770kg	660kg							
% perf 40	Load	2910kg	1750kg	1110kg	740kg	530kg	400kg	330kg							
% perf 30	Load	1800kg	930kg	470kg	220kg	90kg	20kg								
% perf 20	Load	690kg	120kg												
% perf 10	Load														

