

Glazing Robots

A Highly Adaptable Glazing Robot

Oscar 350 Offroad [350kg]

Optimum Strength Compact Articulated Robot

A welcomed addition to GGR's range of glazing robots, the OSCAR 350 Offroad has the capacity to lift up to a maximum working height of 2.76m and features all terrain tyres, making this compact glazing robot perfect for projects in areas with restricted access and poor ground conditions.

The OSCAR 350 is designed to handle glass, ceramic plates and plastic boards for easy handling and precision installation. The electrically powered robotic arm is able to extend up to 600mm and is able to deliver unparalleled lifting thanks to its movable head with the ability to electrically tilt 90° up and down; manual lockable rotation 180° left and right; and manually slew 90° left and right.

This dual circuit glazing robot is able to transport, lift and manipulate loads with extra stability thanks to its wheeled stabilisers. At just 771mm (1199mm with stabilisers), the OSCAR 350 Offroad comes with a cable remote control, giving operators the option to decide how close they want to be to the load as and when required.

Reference Codes

GRG07



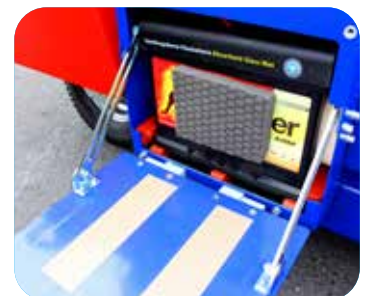
Technical Specifications

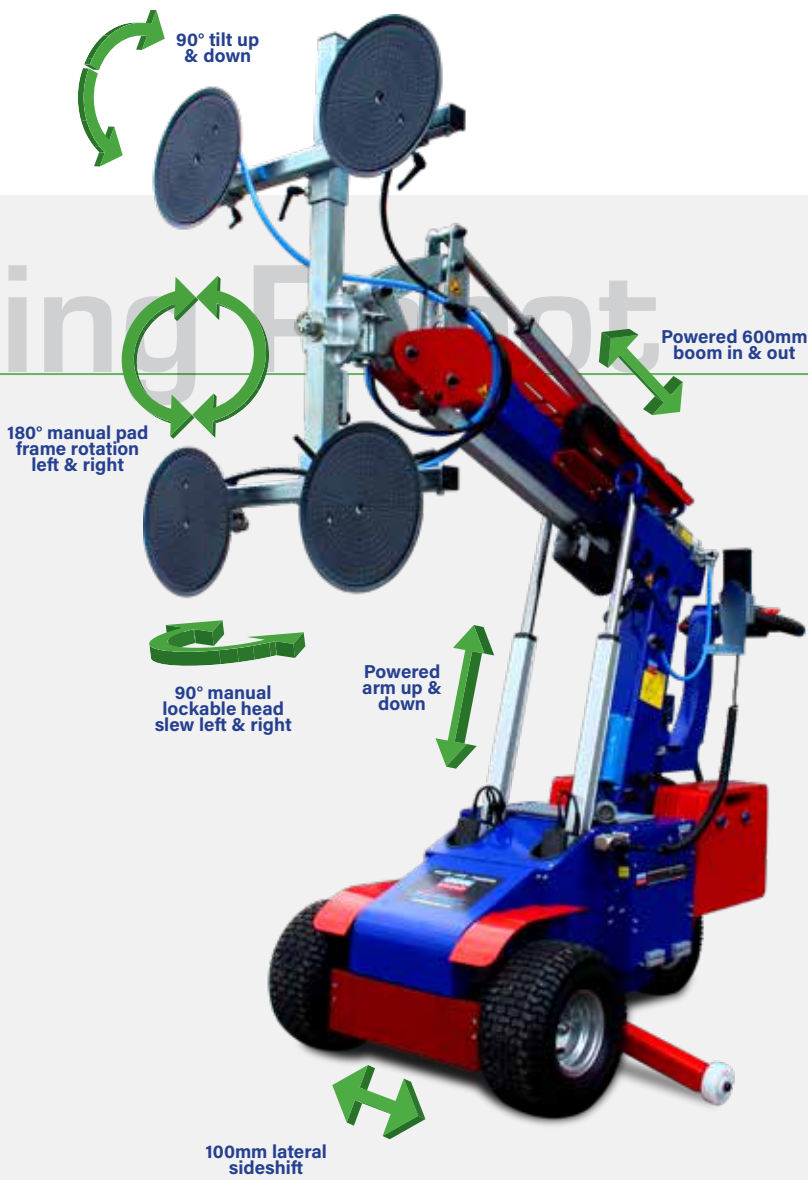
Safe working load	capacity:	350kg
Suitable for lifting	material properties:	gastight / non-porous
	surface:	smooth
	example:	glass, plastic boards, ceramic plates
Weight	with counterweights:	535kg
	without counterweights:	335kg
Maximum working height	height:	2760mm
Maximum/minimum width	width:	1199mm (771mm)
Travelling length	length:	2003mm
Travelling height	height:	1360mm
Number of suction cups	cups:	4
Powered boom in & out	in & out:	600mm
Powered head tilt	tilt:	90° up & down
Powered lateral sideshift	lateral sideshift:	100mm
Manual pad frame rotation	manual rotation:	180° lockable left & right
Manual head slew	manual slew:	90° left & right
Vacuum system	dual circuit:	2 pumps, 2 vacuum reserve tanks
Power requirements	rechargeable battery:	110v/240v charger
	pump:	12v DC

The Oscar 350 features 100mm lateral sideshift.

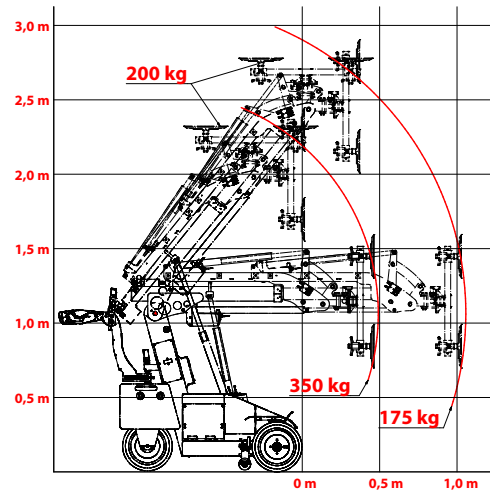


An easy access battery compartment means swapping the batteries is even simpler.





Rated Loads Chart



Technical Data (mm)

