

The Highest Capacity

Mini Crawler Crane MCC1004 [10.0t]

The MCC1004 mini crawler crane benefits from a mighty lifting power of up to 10 tonnes and boasts an impressive maximum lifting height of up to 21.5m (26.2m with fly jib).

This mini machines 2800mm wide base and with rubber inserts to the solid tracks make it the ideal solution for travelling over uneven and rough terrain.

This powerful crane can operate in London's Low Emission Zone thanks to its Euro Stage V engine, supporting the need for cleaner operating environments.

The MCC1004 mini crawler crane also features user-friendly controls, overwind protection and real-time monitoring, ensure optimum safety when carrying out complex lifting projects.

Benefitting from a pick and carry capacity of up to 7500kg this mini crawler crane is the perfect machine for lifting in remote locations and on congested construction sites in cities.

Reference Code

SWTC10



Technical Specifications

Maximum capacity	Capacity:	10.0t x 2.5m
Maximum working radius	Maximum radius:	19m
Maximum lifting height	Maximum height:	21.5m (26.2m with fly jib)
Hook speed	Hook speed:	115 m/min (no load)
Hoist rope	Hoist rope:	ø 11mm x 100m
Telescopic system	Boom length: Telescopic speed: Boom type:	6.8m to 21.2m 20s (extension) / 33s (retraction) Four section hydraulically telescoping boom
Hoist speed	Speed:	28.75 m/min (4 layers on 4 falls), 12s up/16s down
Slew angle	Slew angle/speed:	360° continuous/3.0rpm
Drive	Drive:	Hydraulic
Traction system	Travel speed - low: Gradeability: Track length x width: Ground pressure:	2.7-4.1km/h max (variable by lever operation) ±21° 4272 x 600mm 0.50kg/cm ²
Engine	Type: Maximum output: Fuel/fuel tank capacity:	Cummins QSB6.7 129kW engine 380 litres
Dimensions	Dimensions (l x w x h):	9073mm x 2800mm x 3070mm
Weight	Weight:	20500kg
Standard equipment	Standard:	winch camera
Optional equipment	Optional:	rear view camera



Featuring a fly jib to increase the maximum lifting height to 26.2m

Total Rated Load Chart

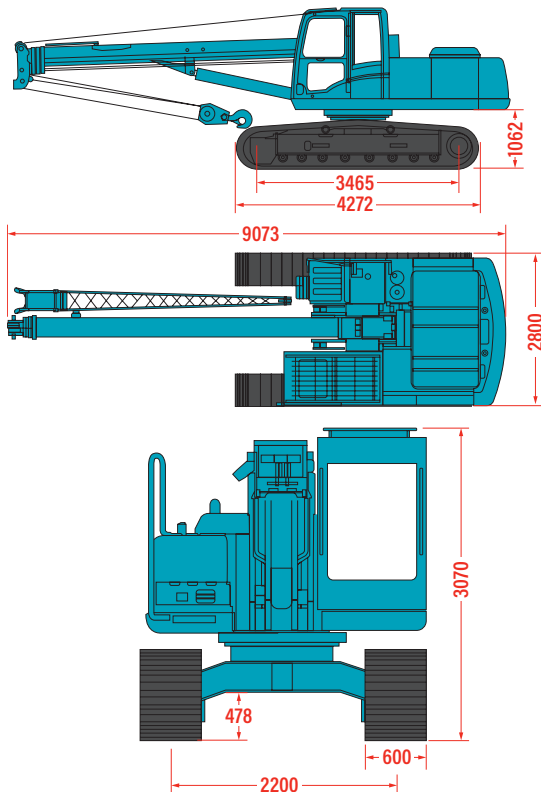
Boom length	6.8m Boom		9.68m Boom		12.56m Boom		15.44m Boom		18.32m Boom		21.2m Boom	
	STATIC	MOBILE	STATIC	MOBILE	STATIC	MOBILE	STATIC	MOBILE	STATIC	MOBILE	STATIC	MOBILE
2.5	10000	7500	8000	5200	6000	3900						not allowed
3.0	10000	7500	8000	5200	6000	3900	4200	2100				not allowed
3.5	9000	6750	8000	5200	5800	3770	4200	2100	3500	1750		not allowed
4.0	8000	6000	7000	4550	5700	3705	4000	2000	3500	1750	3000	not allowed
4.5	7400	5550	6500	4225	5000	3250	3800	1900	3400	1700	3000	not allowed
5.0	6000	4500	5500	3575	4500	2925	3500	1750	3100	1550	2900	not allowed
5.5	5000	3750	4500	2925	3700	2405	3100	1550	2800	1400	2700	not allowed
6.0	4000	3000	4000	2600	3500	2275	2800	1400	2500	1250	2350	not allowed
6.5			3500	2275	3000	1950	2500	1250	2300	1150	2150	not allowed
7.0			3000	1950	2800	1820	2300	1150	2100	1050	1980	not allowed
7.5			2600	1690	2500	1625	2150	1075	1900	950	1830	not allowed
8.0			2450	1590	2250	1460	2000	1000	1750	875	1700	not allowed
9.0					2000	1300	1780	890	1560	780	1510	not allowed
10.0					1850	1200	1600	800	1410	705	1350	not allowed
11.0					1650	1070	1400	700	1280	640	1230	not allowed
12.0							1280	640	1160	580	1110	not allowed
13.0							1150	575	1060	530	1020	not allowed
14.0							1050	525	990	495	930	not allowed
15.0									900	450	860	not allowed
16.0									800	400	780	not allowed
17.0									700	350	680	not allowed
18.0											600	not allowed
19.0											500	not allowed

Fly Jib Rated Load Chart

Main Boom Angle	Fly Jib Offset Angle °			
	0°	15°	30°	45°
78°	1050	850	600	480
76°	1000	800	590	470
74°	970	780	570	450
72°	950	750	550	430
70°	920	720	520	410
68°	900	680	490	390
66°	860	650	460	370
64°	810	620	430	350
62°	760	590	400	330
60°	700	560	370	300
58°	650	520	340	280
56°	610	490	310	240
54°	570	450	270	210
52°	520	410	230	170
50°	470	370	190	130
48°	420	320	150	
46°	360	260		
44°	290	200		
42°	210			
40°				

Note: 1. Maximum Capacity with 6 falls of rope = 9000kg - with 5 falls of rope = 7500kg - with 4 falls of rope = 6000kg - with 3 falls of rope = 4500kg - with 2 falls of rope = 3000kg.
2. Travelling with Fly Jib fitted is prohibited.

Technical Data (mm)



Rated Loads

