

Reach & Power With A

Mini Crawler Crane MCC804 [8.0t]

The MCC804 brings together the best of both worlds, having the robust lifting power of a pick and carry crane and whilst being able to reach the heights of a mini spider crane.

This 8 tonne capacity crawler crane can lift to a maximum working height of 13.7 metres with its four section telescopic extending boom which can be precision-controlled by joystick.

A lighter weight version of the MCC804 is also available with a slightly more compact chassis.

Reference Codes

MCC80A

MCC80B



Technical Specifications

| | | |
|-------------------------------|---|--|
| Maximum capacity | Capacity: | 8.0t x 2.5m |
| Maximum working radius | Maximum radius: | 13.2m |
| Maximum lifting height | Maximum height: | 13.7m |
| Hook speed | Hook speed: | Two speed 13/19 m/min (5 falls) |
| Hoist rope | Hoist rope: | ø 10mm / 111m |
| Telescopic system | Boom length: Telescopic speed: Boom type: | 4.6m to 13.0m 8.4 - 14.0m/min Four section hydraulically telescoping boom |
| Hoist angle | Hoist angle/speed: | -3° - 76° (9.0secs) |
| Slew angle | Slew angle/speed: | 360° continuous/2.0rpm |
| Drive | Drive: | Hydraulic |
| Traction system | Travel speed - low: Gradeability: Track length x width: Ground pressure: | 3-3.4km/h max (variable by lever operation) ±25° 3920 x 500mm 0.49kg/cm ² |
| Engine | Type: Maximum output: Fuel/fuel tank capacity: | ISUZU AI-4JJ1X 83kW engine 320 litres |
| Dimensions | Dimensions (A) (l x w x h): Dimensions (B) (l x w x h): | 7380mm x 2490mm x 3010mm 7360mm x 2700mm x 2490mm |
| Weight | Weight (A): Weight (B): | 16600kg 15400kg |
| Standard equipment | Standard: | Steel tracks, moment limiter, working range limiter, hook overhoist prevention device, external load ratio indicator, air conditioned operator cab |
| Optional equipment | Optional: | Bolt-on rubber pads, window guards and carrier, slew restriction system, rear view camera with widescreen colour LCD display |

Telescopic Boom

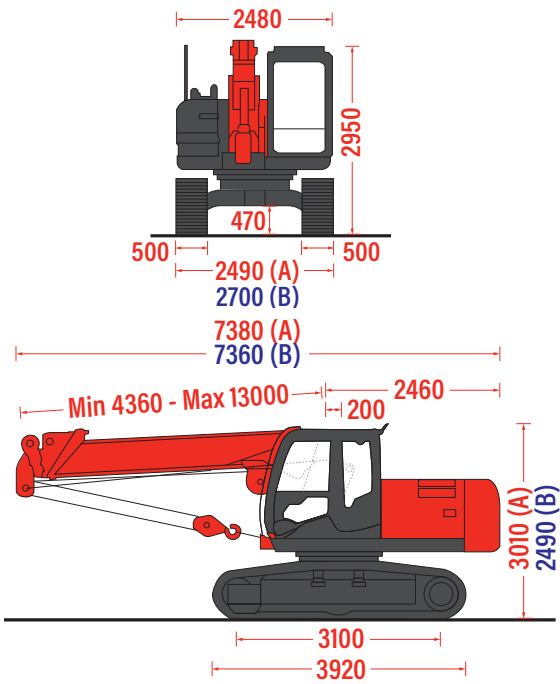


Optional rear-view camera

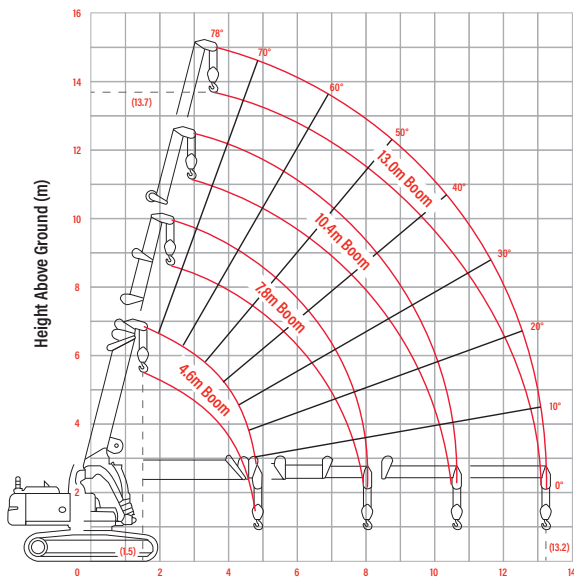
Mini Crawler Crane MCC804



Technical Data (mm)



Rated Loads



The maximum reach below ground level is:
 Five Fall: 18.00m - Four Fall: 22.50m - Three Fall: 30.00m (8000kg) (6400kg) (4800kg)
 Two Fall: 49.00m - Single Fall: 90.00m (3200kg) (1600kg)

Total Rated Load Chart

| Boom length | 4.6m boom | 4.6m boom | 7.8m boom | 7.8m boom | 10.4m boom | 10.4m boom | 13.0m boom | 13.0m boom |
|--------------------|-----------|-----------|-----------|-----------|------------|-------------|------------|-------------|
| Working radius (m) | STATIC | MOBILE | STATIC | MOBILE | STATIC | MOBILE | STATIC | MOBILE |
| 2.5 | 8000 | 3000 | | | | | | |
| 2.7 | 7600 | 3000 | 7000 | 3000 | | | | |
| 3.0 | 7000 | 3000 | 7000 | 3000 | | | | |
| 3.5 | 5500 | 2750 | 5500 | 2750 | 4900 | not allowed | | |
| 4.0 | 4900 | 2450 | 4900 | 2450 | 4900 | not allowed | 3900 | not allowed |
| 4.5 | 4150 | 2075 | 4250 | 2125 | 4300 | not allowed | 3900 | not allowed |
| 4.8 | 3775 | 1885 | - | - | - | not allowed | - | not allowed |
| 5.0 | | | 3650 | 1825 | 3650 | not allowed | 3650 | not allowed |
| 6.0 | | | 2820 | 1410 | 2820 | not allowed | 2820 | not allowed |
| 6.5 | | | 2500 | 1250 | 2500 | not allowed | 2500 | not allowed |
| 7.0 | | | 2250 | 1125 | 2250 | not allowed | 2250 | not allowed |
| 8.0 | | | 1820 | 910 | 1820 | not allowed | 1820 | not allowed |
| 9.0 | | | | | 1550 | not allowed | 1550 | not allowed |
| 10.0 | | | | | 1320 | not allowed | 1320 | not allowed |
| 10.6 | | | | | 1220 | not allowed | 1220 | not allowed |
| 11.0 | | | | | | | 1160 | not allowed |
| 12.0 | | | | | | | 1020 | not allowed |
| 13.0 | | | | | | | 920 | not allowed |
| 13.2 | | | | | | | 900 | not allowed |

Note: Maximum capacity with 4 falls of Rope = 6400kg - with 2 falls of Rope = 3200kg