

# Trailer, Special Use & Crawler Cranes

# Compact Yet Powerful

## Mini Crawler Crane MCC805 [8.0t]

The MCC805 is the ultimate mini crawler crane offering a class-beating lifting height of 15m and a huge 20.5m overall height with a fly jib.

Compact yet powerful, this mini telescopic crawler crane boasts 8 tonnes of lifting muscle as well as 6.5 tonnes of robust pick and carry duty for superb productivity on site.

The MCC805 features a hydraulic blade mounted on the front of the chassis designed to even-out any rough terrain and self-level the crane when working on gradients of up to 13 degrees.

An optional 3m to 6m long fly jib with a 3 tonne safe working load provides an excellent lifting height and 18.5m working radius, both of which are unbeatable for this class of compact crane.

### Reference Code

Standard - **MCC80-3**

Cabless - **MCC80-5**



### Technical Specifications

<b>Maximum capacity</b>	Capacity:	8.0t x 3.5m
<b>Maximum working radius</b>	Maximum radius:	13m (18.5m with fly jib)
<b>Maximum lifting height</b>	Maximum height:	15m (20.5m with fly jib)
<b>Hook speed</b>	Hook speed:	Two speed 10.5/17.9 m/min (4 falls)
<b>Hoist rope</b>	Hoist rope:	ø 10mm / 120m
<b>Telescopic system</b>	Boom length: Telescopic speed: Boom type:	6.25m to 14.83m (9.99m to 20.55m with fly jib) 4.7 m/min Three section hydraulically telescoping boom
<b>Hoist angle</b>	Hoist angle/speed:	-7° - 68° (40 secs)
<b>Slew angle</b>	Slew angle/speed:	360° continuous/0.5rpm
<b>Drive</b>	Drive:	Hydraulic
<b>Traction speed</b>	Travel speed: Gradeability: Track length x width: Ground pressure:	2.5km/h max ±13° 4002x500mm 0.64kg/cm <sup>2</sup>
<b>Engine</b>	Type: Maximum output: Fuel/fuel tank capacity:	4 cylinder CAT™ water-cooled diesel engine 74.5W engine 270 litres
<b>Dimensions</b>	Dimensions (l x w x h): Dimensions with fly jib (l x w x h): Weight:	6906mm x 2490mm x 2875mm 10642mm x 2490mm x 2875mm 17700kg (18100kg with fly jib) approx.
<b>Standard equipment</b>	Standard:	Steel tracks, moment limiter, hook overhoist prevention device
<b>Optional equipment</b>	Optional:	Bolt-on rubber pads, slew restriction system with graphic interface, 3t fly jib/searcher hook, 1000mm 6t short jib, hydraulic levelling blade, rear view camera with colour display, radio remote control, electric 12V recovery system, air conditioned operator cab, two hydraulic connectors at the end of main boom for 3t luffing jib/searcher hook



New cabless diesel-electric dual fuel option available for working in confined spaces and sensitive environments.



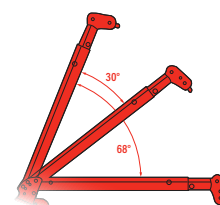
Optional cableless version with radio remote control



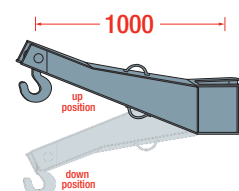
Mini Crawler Crane

Mini Crawler Crane MCC805

**Technical Data**  
3-6m fly jib



**Technical Data (mm)**  
6t short jib

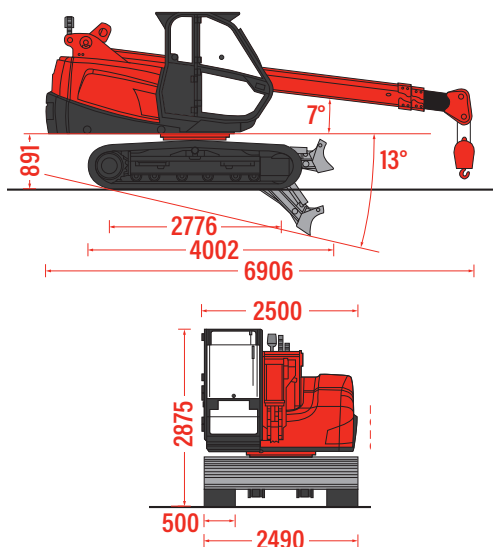


**Total Rated Load Chart**

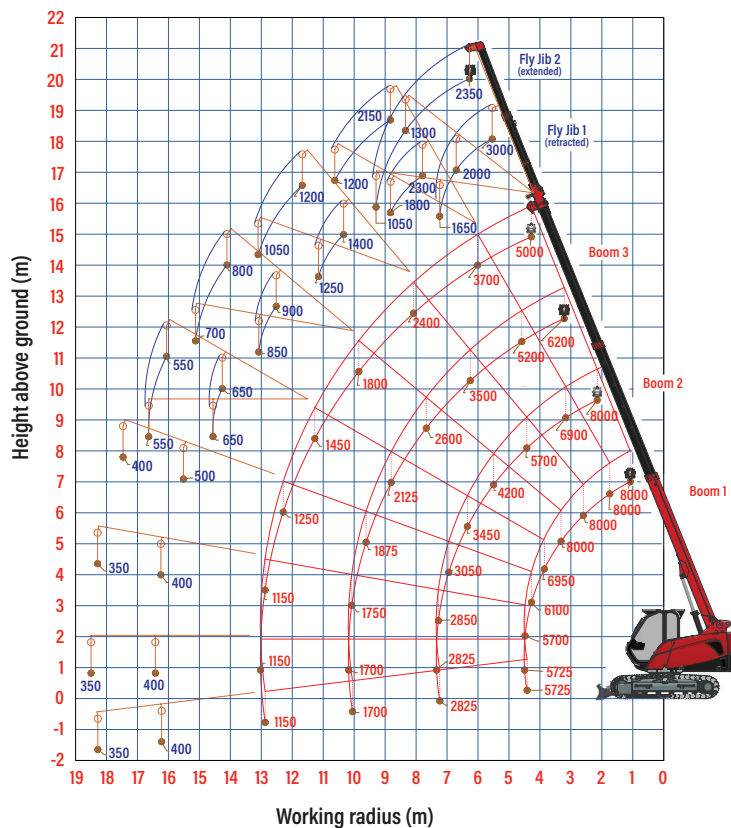
Boom length	6.25m boom	6.25m boom	10.54m boom	10.54m boom	14.83m boom	14.83m boom
Working radius (m)	STATIC	MOBILE	STATIC	MOBILE	STATIC	MOBILE
1.1	8000					
1.5	8000					
2.0	8000					
2.5	8000					
3.0	8000	6500	6800			
3.5	8000	5900	6350			
4.0	6800	5100	5950			
4.35	6000	4700	5750		5000	
4.5	5750	4650	5650		4900	
5.0			4950		4650	
6.0			3800	2650	3800	
7.0			3050	2200	3050	
8.0			2500	1850	2500	
9.0				1700	2100	1450
10.0					1800	1250
11.0					1550	1100
12.0					1300	950
13.07					1150	900

Notes: 1. Boom angle must not exceed 50° when travelling with any load.  
2. Travelling with Fly Jib fitted is prohibited.

**Technical Data (mm)**



**Rated Loads**



The maximum reach below ground level is:  
Four Fall: 25.50m - Two Fall: 50.00m - Single Fall: 100.00m  
(8000kg) (4000kg) (2000kg)