

Trailer, Special Use & Crawler Cranes

Weighs Only 3000kg

Starworker 1000-D Trailer Crane [1000kg]

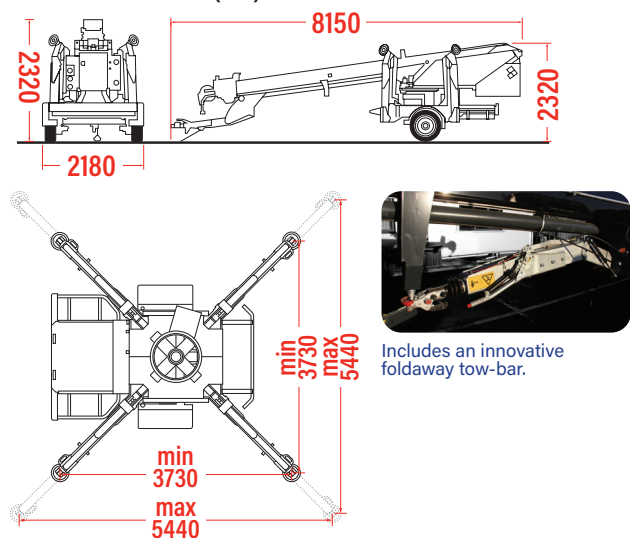
A cost effective alternative to traditional mobile cranes, the Starworker 1000 towable trailer crane comes with a mechanical jib, offering a generous 26.5m hook height and 21m working radius.

Weighing just 3000kg, this crane has a small footprint compared to traditional trailer cranes thanks to its innovative patented tow-bar design. The lightweight and compact chassis makes the Starworker 1000 a practical choice for when space or point loadings are an issue.

Technical Specifications

Maximum capacity	1000kg
Maximum working radius	21m
Maximum hook height	26.5m
Derricking angle main boom	0° - 82°
Derricking angle fly jib	0° & 36°
Hook speed	0 - 45m/min
Slewing angle	360° (continuous)
Transport width	2180mm
Transport height	2320mm
Transport length	8150mm
Engine	Yanmar
Fuel	Diesel
Weight	3000kg
Standard equipment	radio remote with feedback, load percentage indicator, mechanical fly jib, safe load limiter, double jockey wheel, hinged tow-bar
Optional equipment	auto-leveling outriggers

Technical Data (mm)



Radio remote control with feedback as standard



Reference Code

MCO110-D

Load Chart (manual fly jib)

