

# Glazing Robots

## State Of The Art Instal

### Geko 500 3D [500kg]

The Geko 500 3D glazing robot has been designed to lift glass, marble, steel, and other materials\* in confined and restricted access areas.

This battery powered glass manipulator features an innovative hydraulically powered 3D head to help shift loads into place for optimum installation using it's 180° powered rotation. The Geko 500 3D can also tilt loads 90° up & down, manual boom slew 22° left & right and features a powered head to slew 90° left and right.

With a lifting height of up to 2.9 metres, this versatile glazing robot is ideal for picking loads from the ground and manipulating them into position for installation at any required angle.

The Geko 500 3D glazing robot also features pneumatic rubber tyres, for added safety when travelling over rough, uneven ground and features a powered side shift function for moving loads into position when assisting with glass installation.

This machine is also perfect for lifting and installing canopy glazing, curtain walling and installing glazing from the inside out.

#### Reference Codes

**GRG14**

*\*material is dependent on successful testing.*

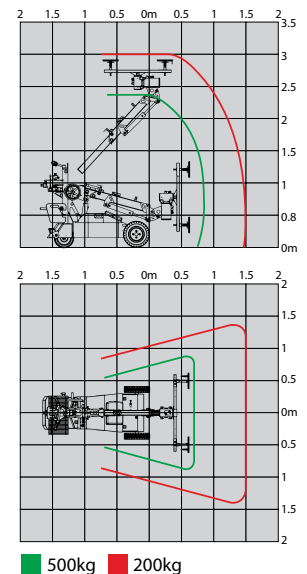


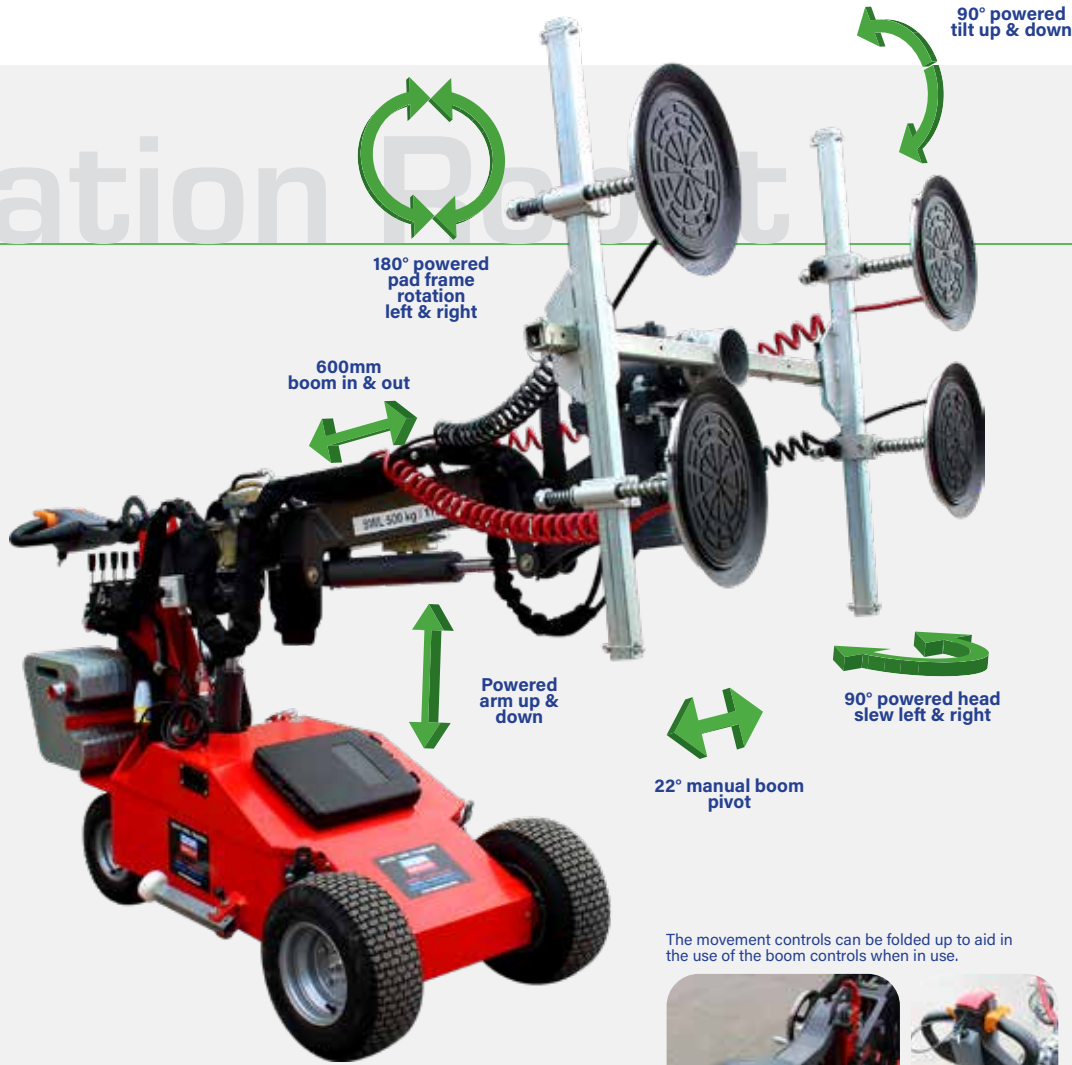
Lifting points are included for loading, unloading and lifting onto rooftops.

#### Technical Specifications

<b>Safe working load</b>	capacity:	500kg
<b>Suitable for lifting</b>	material properties:	gastight / non-porous
	surface:	smooth
	examples:	glass, plastic boards, ceramic plates
<b>Weight</b>	with counterweights:	764kg
	without counterweights:	533kg
<b>Width</b>	width:	833mm / 1200mm / 1250mm
<b>Travelling length</b>	length:	2400mm
<b>Travelling height</b>	height:	1134mm
<b>Number of suction cups</b>	cups:	4 x 320mm Ø
<b>Boom in &amp; out</b>	in & out	600mm
<b>Powered head tilt</b>	tilt:	90° up & down
<b>Manual boom pivot</b>	pivot:	22° / 11° each side from centre
<b>Pad frame rotation</b>	powered rotation:	180° left & right
<b>Pad head slew</b>	powered slew:	90° left & right
<b>Vacuum system</b>	dual circuit:	2 pumps, 2 vacuum reserve tanks
<b>Power requirements</b>	rechargeable battery:	115v/230v charger
	pump:	12v DC

#### Rated Loads Chart





The Geko 500's boom can be pivoted 22° left and right from centre using the hand wheel.



The Geko 500's 3D outriggers helps to provide stability for the robot when working on-site.



Controls for the movement and control of the Geko 500 3D robot are clear and easy to use.



The movement controls can be folded up to aid in the use of the boom controls when in use.



The spring loaded suction cups allows easy lifting of deep framed units such as French Doors.



**Technical Data (mm)**

