

Tracked Pick & Carry Du

GK20 Pick & Carry Crane [2.0t x 0.45m]

The GK20 is the ultimate machine for lifting and carrying loads over rough terrain.

This compact crawler crane features an extendable tracked undercarriage for stable transportation of loads over uneven ground. The tracks can also be closed and tucked away in the undercarriage so the crane can easily travel into a tight working space.

Powered by 80V battery, the GK20 pedestrian operated crane comes with radio remote control and digital safe load indicator as standard.

Reference Code

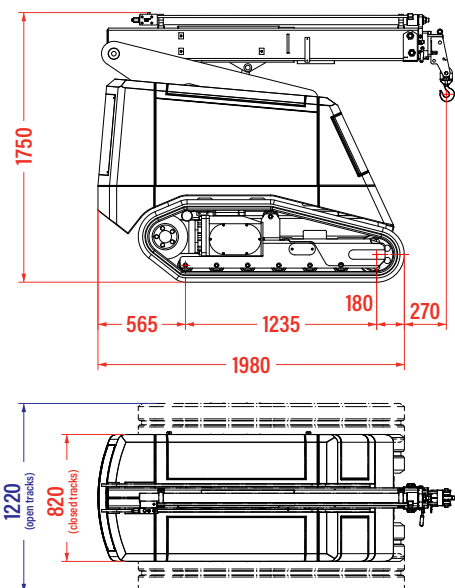
MCGK20



Technical Specification

Capacity	2.0t x 0.45m (tracks closed) 1.5t x 0.45m (tracks open)
Maximum working radius	3.45m (4.65m with searcher hook)
Maximum lifting height	5.3m (6.3m with searcher hook)
Dimensions	2245mm (l) x 820mm (w) x 1750mm (h) (tracks closed) 2245mm (l) x 1220mm (w) x 1750mm (h) mm (tracks open)
Weight	2300kg
Boom length	2.15 - 5.15m
Boom type	3 section box boom (1+2 hydraulic, 3 manual)
Derricking angle	-7° - 50°
Tyres	rubber tracks
Power source	80v rechargeable battery, 2 motors on undercarriage with counter-rotation controlled by AC electronic controller
Battery charger	32a 110v
Travel speed	2km/h
Gradability	±11.3° (without load)
Standard equipment	radio remote control, digital safe load indicator, reversing alarm, emergency stop button, overload alarm and lamps
Optional equipment	150kg searcher hook, fly jib, full winch system (1650kg)

Technical Data (approx. mm)



ty For Rough Terrain

GK20 Pick & Carry Crane



Digital Safe Load Indicator as standard



Radio remote control as standard



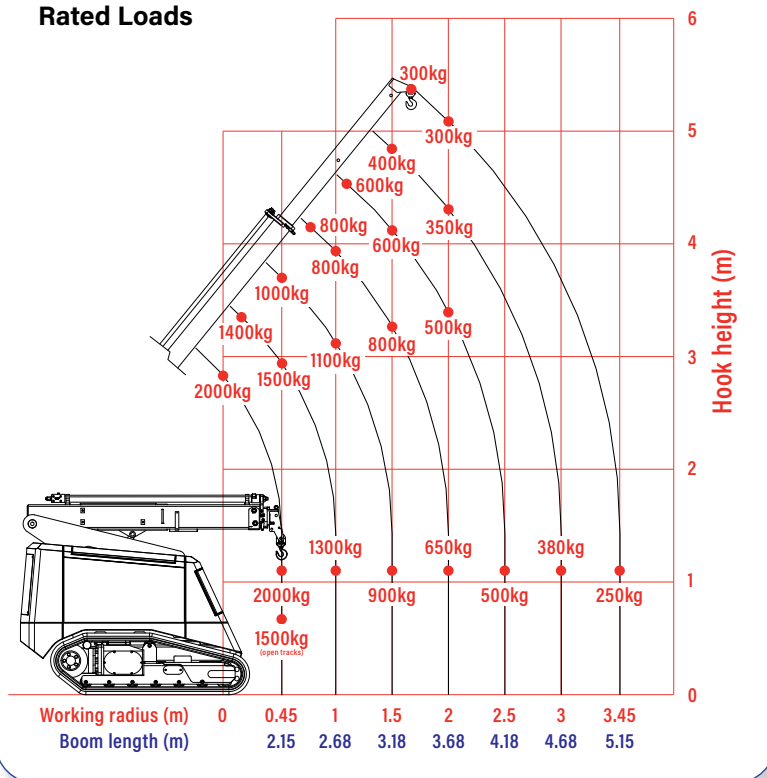
Full winch system
(Capacity: 1650kg)



Optional rhino hook
(Capacity: 800kg)

1220mm (open tracks)
820mm (closed tracks)

Rated Loads



Rhino Hook Rated Loads For G20 & GK20

