

# Smooth Movement Across

## Oscar 600 Long Reach [600kg]

### Optimum Strength Compact Articulated Robot

Take your Oscar 600 Offroad lifting power to the next level with the Oscar 600 Long Reach. Featuring an extra-long telescopic arm that can extend over 2.3m from the front wheels, giving an extra 900mm of reach over the standard model.

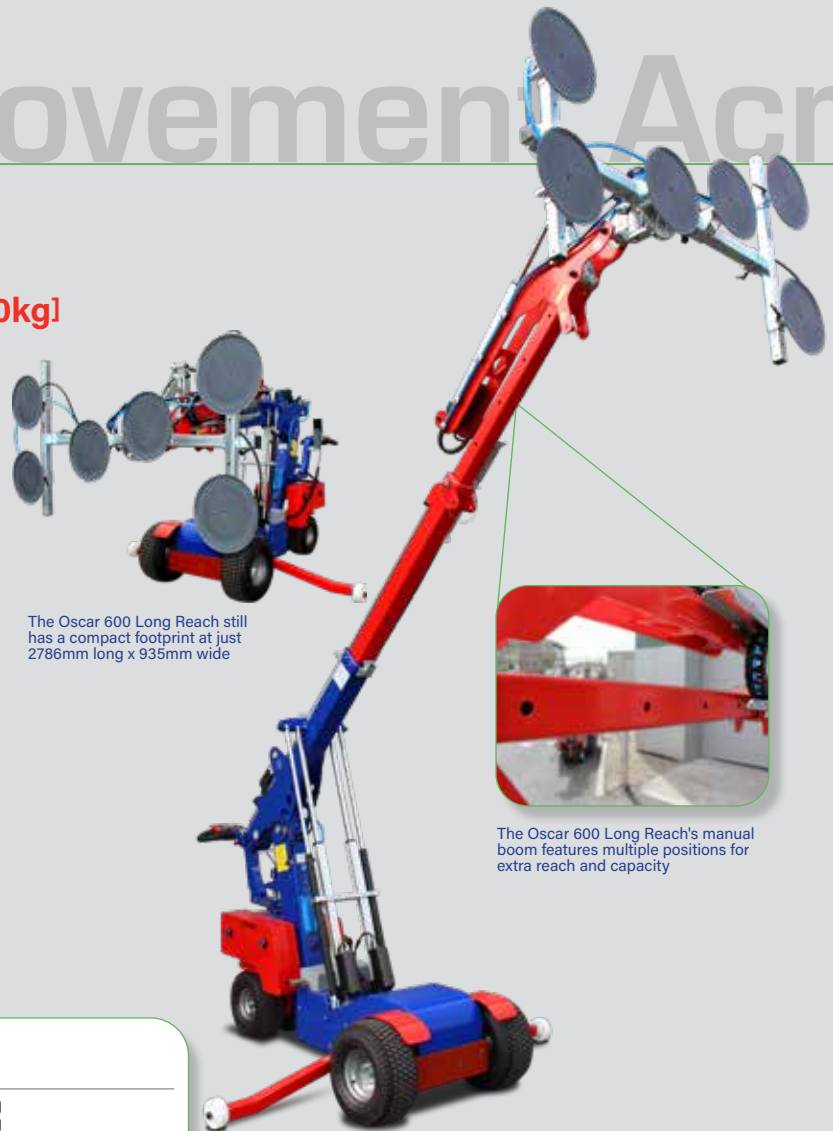
Retaining all the lifting power as our standard Oscar 600 Offroad model, this highly manoeuvrable Oscar 600 Long Reach has front wheel drive and large dual tyres with added grip to enable the machine to travel over uneven terrain.

Perfect for use on outdoor sites, the dual circuit Oscar 600 Long Reach can safely handle heavy glass and other flat non-porous materials using six durable vacuum suction cups.

Its extra-long telescopic lifting arm can extend over 2.3m from the front wheels for lifting 220kg loads and the sideshift function allows for minor adjustments in load placement without having to reposition the entire machine.

### Reference Code

GRG24



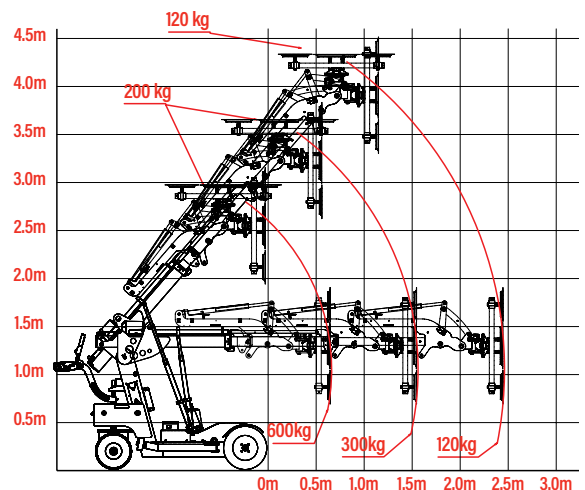
The Oscar 600 Long Reach still has a compact footprint at just 2786mm long x 935mm wide

The Oscar 600 Long Reach's manual boom features multiple positions for extra reach and capacity

### Technical Specifications

<b>Safe working load</b>	max capacity jib 1: max capacity jib 2: max capacity manual jib:	600kg 300kg 220kg
<b>Suitable for lifting</b>	material properties: surface: example:	gastight / non-porous smooth glass, plastic boards, ceramic plates
<b>Weight</b>	with counterweights: without counterweights:	926kg 650kg
<b>Width</b>	width:	935mm
<b>Travelling length</b>	length:	2534mm
<b>Travelling height</b>	height:	1524mm
<b>Number of suction cups</b>	cups:	6
<b>Powered head tilt</b>	powered head tilt:	90° up & down
<b>Powered lateral sideshift</b>	powered lateral sideshift:	100mm
<b>Manual pad frame rotation</b>	rotation:	180° lockable left & right
<b>Manual head slew left &amp; right</b>	manual head slew:	90° lockable increments left & right
<b>Powered boom in &amp; out</b>	boom in & out:	900mm
<b>Manual boom section in &amp; out</b>	boom in & out:	900mm
<b>Vacuum system</b>	dual circuit:	2 pumps, 2 vacuum reserve tanks
<b>Power requirements</b>	rechargeable battery: pump:	110v/240v charger 24v DC (2 x 12v)

### Rated Loads Diagram





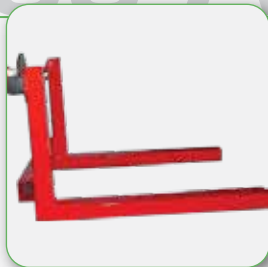
Cable remote control as standard or optional radio remote control



Crane hook option



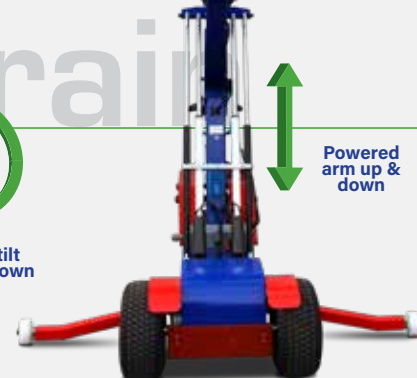
180° manual pad frame rotation left & right



Optional fork lift attachment



180° tilt up & down



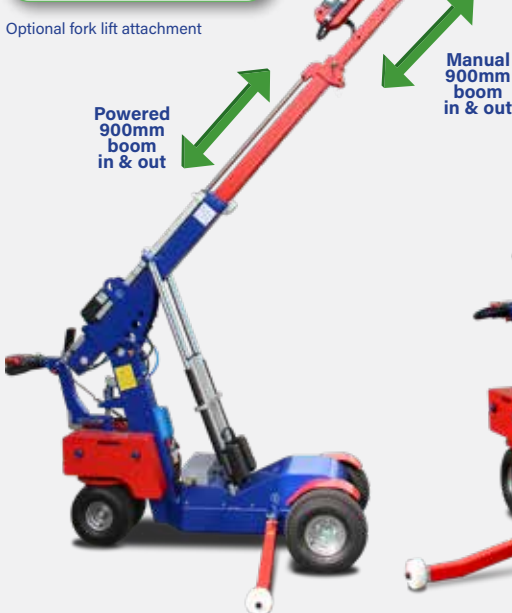
Powered arm up & down

**Manual Boom Capacities**

<b>Position 1</b>	220kg
<b>Position 2</b>	180kg
<b>Position 3</b>	160kg
<b>Position 4</b>	140kg
<b>Position 5</b>	120kg



100mm lateral sideshift



Powered 900mm boom in & out

Manual 900mm boom in & out



90° manual lockable head slew left & right

**Technical Data (mm)**

