

# Smooth Movement Across

## Oscar 800 3D Head [800kg]

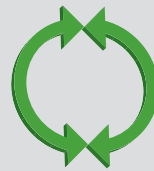
### Optimum Strength Compact Articulated Robot

The popular Oscar 800 Offroad has been taken to the next level with the addition of the fully 3D Head. The 800 3D has a lifting capacity of 800kg, all terrain tyres for working in poor ground conditions and a maximum outreach of 2.7m. Giving you more reach and more flexibility on site compared to the standard Oscar 800.

Features include a hydraulically powered robotic head with 180° rotation left and right, 90° slew left and right and 90° tilt up and down which gives the operator the ability to work in a variety of locations where space is restricted and diesel machines are impractical.

Retaining all the features of the 800 Offroad with 100mm lateral sideshift, wheeled stabilisers and a radio remote control that gives operators the choice of how close they want to be to a load - closer during installation or further away so they can stay out of the way at a safer distance when required.

From inside out glazing, shop fronts, canopies, railway stations to airports and hospitals, the Oscar 800 3D Head is the perfect solution for your glazing problems.



180° powered pad frame rotation left & right



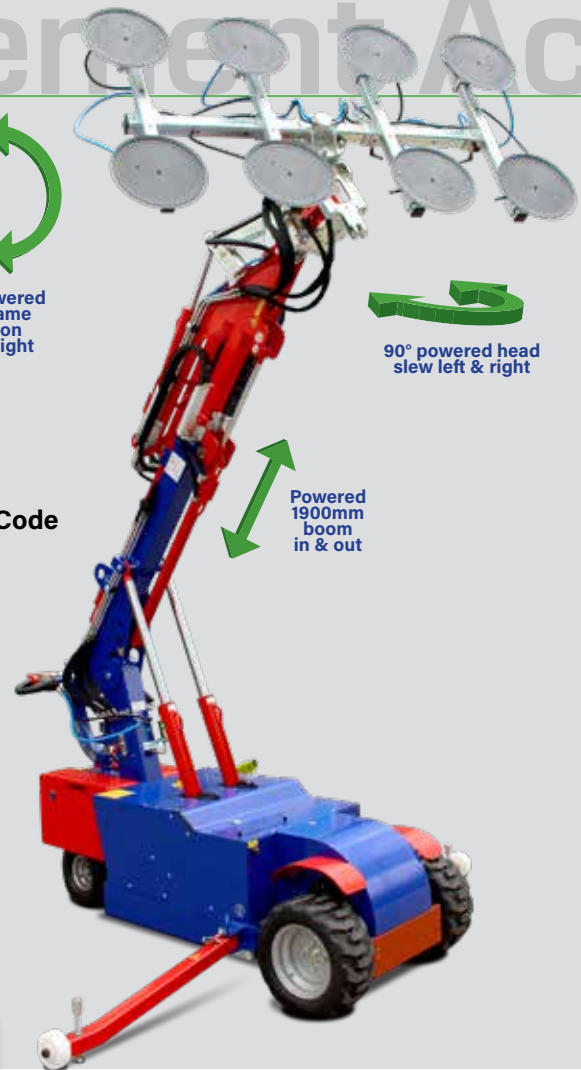
90° powered head slew left & right



Powered 1900mm boom in & out

### Reference Code

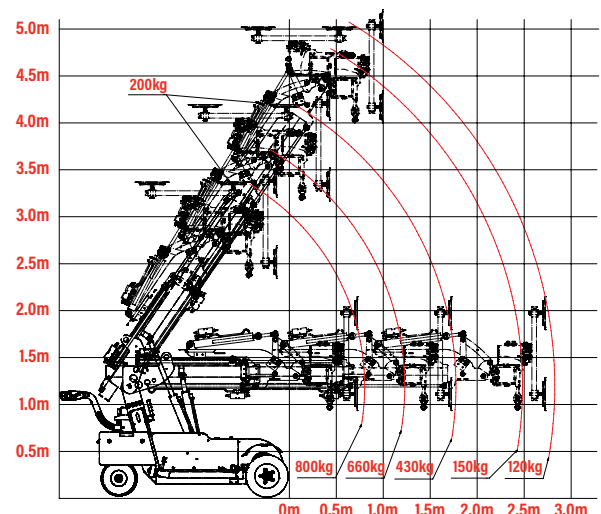
GRG32



### Technical Specifications

<b>Safe working load</b>	max capacity jib 1: max capacity jib 2: max capacity jib 3:	800kg 430kg 120kg
<b>Suitable for lifting</b>	material properties: surface: example:	gastight / non-porous smooth glass, plastic boards, ceramic plates
<b>Weight</b>	with counterweights: without counterweights:	1560kg 1020kg
<b>Width</b>	width:	943mm
<b>Travelling length</b>	length:	3198mm
<b>Travelling height</b>	height:	1524mm
<b>Number of suction cups</b>	cups:	8
<b>Powered head tilt</b>	powered head tilt:	90° up & down
<b>Powered lateral sideshift</b>	powered lateral sideshift:	100mm
<b>Powered pad frame rotation</b>	rotation:	180° left & right
<b>Powered head slew left &amp; right</b>	head slew:	90° left & right
<b>Powered boom in &amp; out</b>	boom in & out:	1900mm
<b>Vacuum system</b>	dual circuit:	2 pumps, 2 vacuum reserve tanks
<b>Power requirements</b>	rechargeable battery: pump:	110v/240v charger 24v DC (2 x 12v)

### Rated Loads Diagram





Radio remote control as standard



Crane hook option



100mm lateral sideshift



90° tilt up & down



**Technical Data (mm)**

