

Compact Lifting Muscle

Mini Crawler Crane MCC495 [4.9t]

With an extending boom like a spider crane and the compact lifting muscle of a pick and carry crane, this mini machine provides an alternative solution to lifting challenges in restricted access areas.

The mini telescopic crawler crane's 2.35m wide base and solid tracks provide it with 4.9 tonnes of lifting power and a 2 tonnes pick and carry capacity.

The five section telescopic boom can reach a maximum working height of 16.35m and be controlled accurately with cab-mounted joysticks.

Reference Code

MCC495



Technical Specifications

Maximum capacity	Capacity:	4.9t x 2.1m
Maximum working radius	Maximum radius:	14.52m
Maximum lifting height	Maximum height:	16.35m
Hook speed	Hook speed:	Two speed 27/39m/min (4 falls, 4th layer)
Hoist rope	Hoist rope:	IWRC 6 x Fi (29) 10mm x 115m
Telescopic system	Boom length: Telescopic speed: Boom type:	4.63m - 15.63m 11m/24.5 sec Fully automatic 5 section pentagonal hydraulically telescoping boom
Telescopic system	Hoist angle/speed:	-2° to 80° (12.5 sec)
Telescopic system	Slew angle/speed:	360° continuous/2.4rpm
Drive	Drive:	Both sides independent steering control, hydraulic piston motor with in-built automatic brake, planet reduction gears, sprocket crawler
Traction system	Travel speed: Gradeability: Track length x width: Ground pressure:	0 - 2.5km/h (low), 0 - 3.8km/h (high) ±20° 1,870mm x 450mm 0.48kg/cm²
Engine	Type: Maximum output: Fuel/fuel tank capacity:	Komatsu S4D95LE 3-A, 4 cylinder diesel, water cooled, direct injection 40.5kW (55PS)/1850rpm Diesel/141 L
Dimensions	Dimensions (l x w x h) Weight:	5005mm x 2350mm x 2685mm 9700kg
Standard equipment	Standard:	Safe load indicator, steel tracks, 4 fall hook block, working light, hour meter and inclination alarm, air conditioned cab
Optional equipment	Optional:	Single fall hook, 2 fall hook block, bolt-on rubber pads



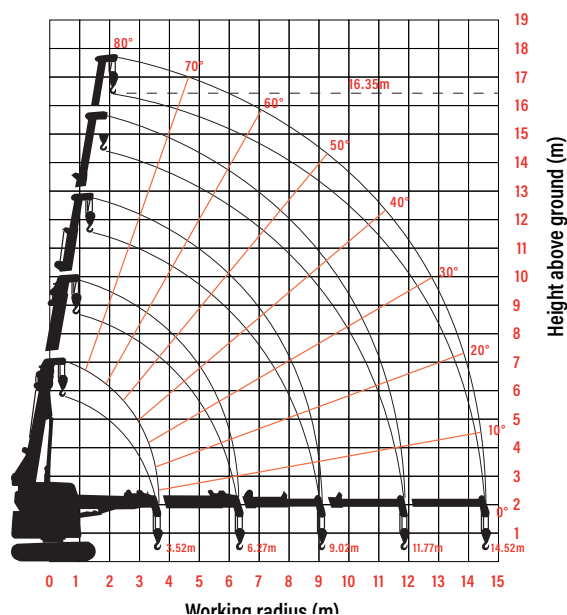
With No ... ers

Total Rated Load Chart

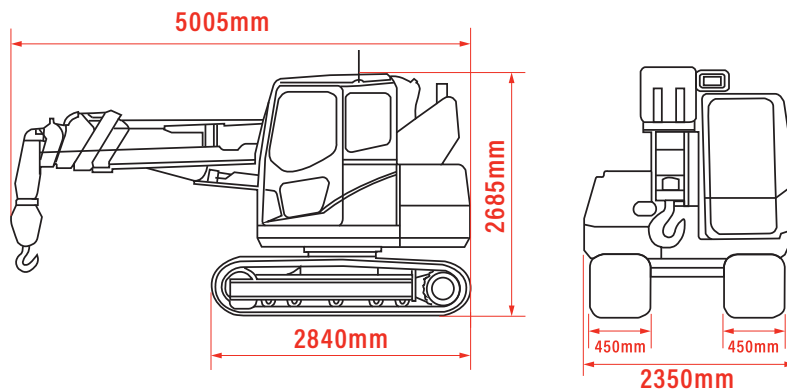
Boom length	4.63m boom	4.63m boom	7.38m boom	7.38m boom	10.13m boom	10.13m boom	12.88m boom	12.88m boom	15.63m boom	15.63m boom
Working radius (m)	STATIC	MOBILE	STATIC	MOBILE	STATIC	MOBILE	STATIC	MOBILE	STATIC	MOBILE
2.0	4900	2000	4900	2000	2600	1400	2000	not allowed		
2.5	3800	2000	3760	2000	2600	1400	2000	not allowed	1400	not allowed
3.0	2900	1670	2980	1700	2310	1360	2000	not allowed	1400	not allowed
3.5	2290	1330	2420	1380	2010	1170	1890	not allowed	1400	not allowed
4.0			2000	1140	1750	1020	1650	not allowed	1400	not allowed
4.5			1670	960	1530	890	1450	not allowed	1320	not allowed
5.0			1400	810	1340	770	1280	not allowed	1200	not allowed
6.0			1000	590	1030	590	1010	not allowed	990	not allowed
7.0					780	440	800	not allowed	820	not allowed
8.0					580	320	630	not allowed	680	not allowed
9.0					410	230	500	not allowed	560	not allowed
10.0							390	not allowed	450	not allowed
11.0							300	not allowed	360	not allowed
12.0									280	not allowed
13.0									210	not allowed
14.0									200	not allowed
14.52									200	not allowed



Rated Loads



Technical Data (mm)



The maximum reach below ground level is:
 Four Fall: 25.10m - Two Fall: 51.30m - Single Fall: 104.50m
 (4900kg) (2450kg) (1220kg)