

Trailer, Special Use & Crawler Cranes

Compact Lifting Articulated

TMC 25 Electric Articulated Crawler Crane [2.5t x 1.5m]

Our popular TMC 25 Crane has been made even more versatile with the addition of an electric power option, making this compact machine perfect for lifting up to 2.5t in confined areas like shopping centres, museums, hospitals, gas and electric infrastructure projects and much more.

The TMC25 Lithium Ion powered crane retains all the compact dimensions and lifting power of the diesel variant at just 780mm wide this nimble crane can reach the tightest of areas.

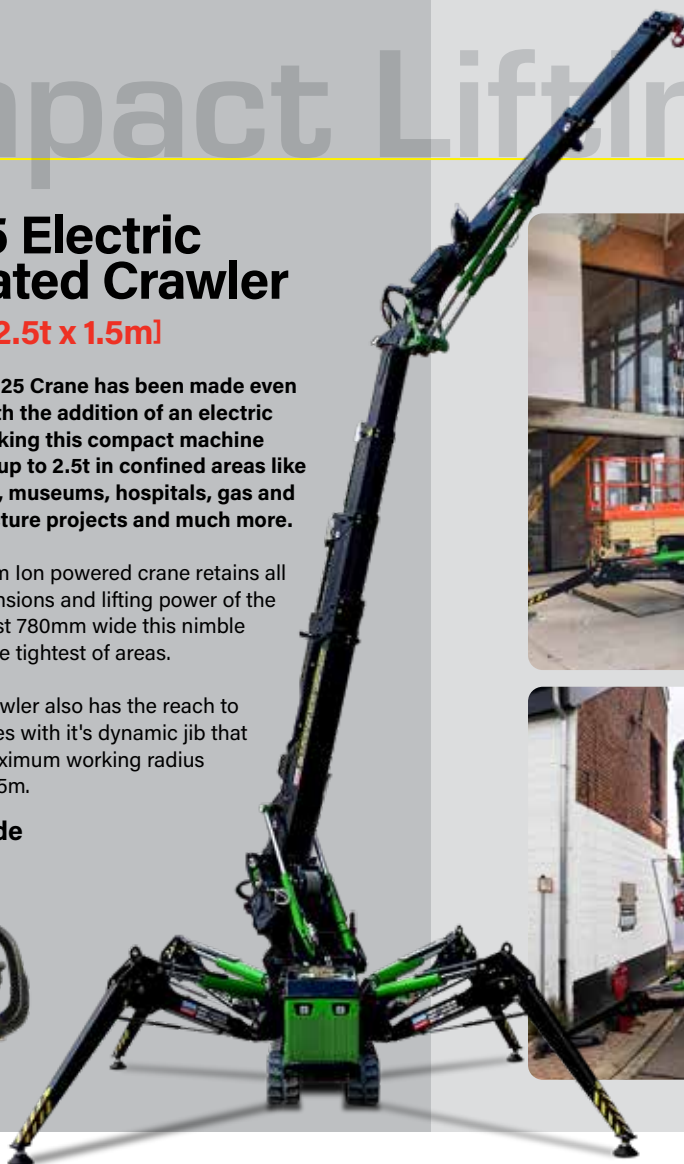
The articulated crawler also has the reach to get into tight spaces with it's dynamic jib that can extend the maximum working radius from 8.43m to 12.85m.

Reference Code

TMC25-E



TMC 25 radio remote control

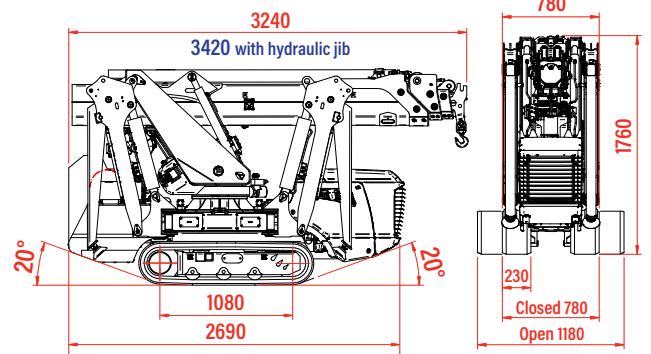


Technical Specifications

Maximum capacity	capacity:	2.5t x 1.5m
Maximum working radius	radius:	8.43m (12.85m with jib)
Maximum hook height	height:	10.4m (15.65m with jib)
Slewing angle/speed	slewing:	360° (continuous) 1.5 min rpm
Winch	first layer pull: rope length: speed :	900kg 65m 47m/min
Weight	crane:	2864kg
Traction system	speed: gradeability: max pressure: track width: pressure:	0-2km/h 25° 0.47kg/cm ² 230mm 170 bar
Power Source	voltage: charger:	240v 16a / 110v 32a 48v rechargeable lithium-ion
Standard equipment	standard:	radio remote control with display, continuous rotation, winch, jib, outrigger with different stability position, automatic stabilisation, two speed crawler translation, N° 4 lifting points, electronic limiting device, auto diagnostic
Optional equipment	optional:	900kg hydraulic winch, lowered hook connections, plates for outriggers, working lights, hydraulic jib with opening up to 195°, no marking rubber pads, automatic closing

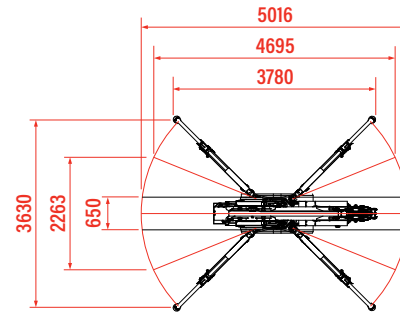


Technical Data (mm)

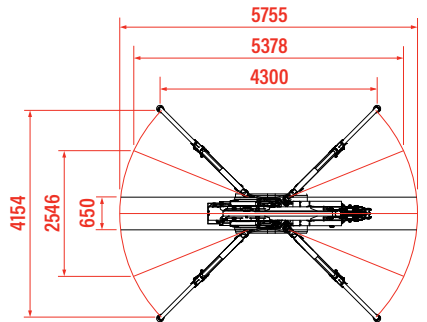


Footprint Dimensions (mm)

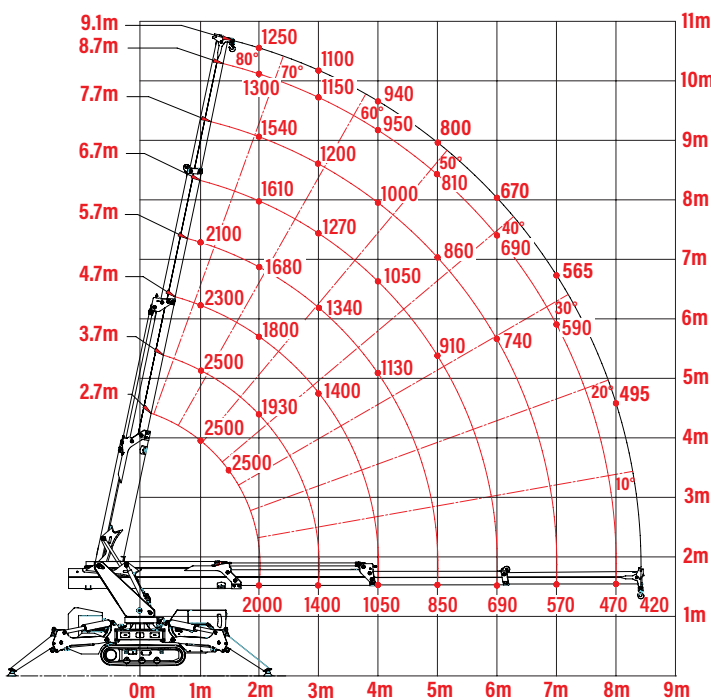
Minimum outriggers



Maximum outriggers



Rated Loads (kg)



Rated Loads - Jib (kg)

