

Trailer, Special Use & Crawler Cranes

Compact Lifting Articulated

TMC 25 Articulated Crawler Crane [2.5t x 1.5m]

The TMC 25 mini crane benefits from a lifting capacity of up to 2500kg and a working height of up to 15.65m. This specialist crane comes into its own for lifting projects where extra reach may be required, thanks to its three-stage hydraulic jib.

The TMC 25 is the ideal machine for both indoor and outdoor use in confined and hard to access areas, due to its small working footprint. Its 780mm chassis makes it ideal for passing through doorways and manoeuvring around obstacles on busy construction sites.

Featuring all terrain tracks, this mini crane can operate on uneven surfaces and it is also ideal for roof top operations and working in between floors.

Reference Code

TMC25



TMC 25 radio remote control



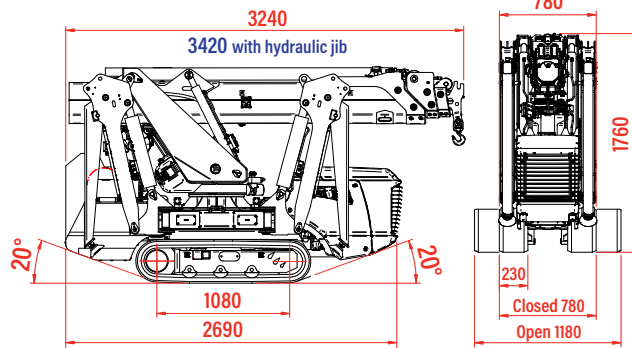
Technical Specifications

Maximum capacity	capacity:	2.5t x 1.5m
Maximum working radius	radius:	8.43m (12.85m with jib)
Maximum hook height	height:	10.4m (15.65m with jib)
Slewing angle/speed	slewing:	360° (continuous) 1.5 min rpm
Winch	first layer pull: rope length: speed :	900kg 65m 47m/min
Weight	crane:	2680kg, + 210kg jib + 140kg other accessories
Traction system	speed: gradeability: max pressure: track width: pressure:	0-2km/h 25° 0.47kg/cm ² 230mm 170 bar
Engine	fuel: max power: max torque: tank capacity:	diesel 16.3kw/22.2Hp 48Nm 13 litres
Power options	engine: electric:	diesel 220v 16a / 110v 32a
Standard equipment	standard:	radio remote control with display, continuous rotation, winch, jib, outrigger with different stability position, automatic stabilisation, two speed crawler translation, engine rpm increment, N° 4 lifting points, electronic limiting device, auto diagnostic
Optional equipment	optional:	900kg hydraulic winch, lowered hook connections, plates for outriggers, working lights, hydraulic jib with opening up to 195°, no marking rubber pads, automatic closing

ated Crane

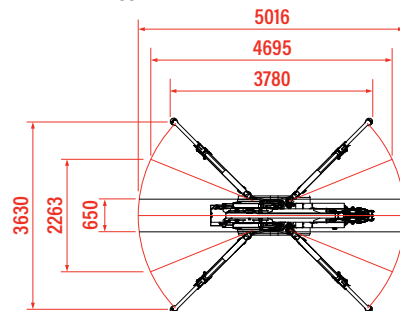


Technical Data (mm)

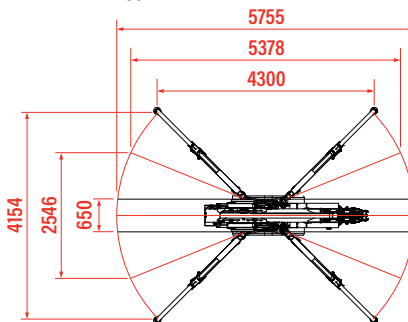


Footprint Dimensions (mm)

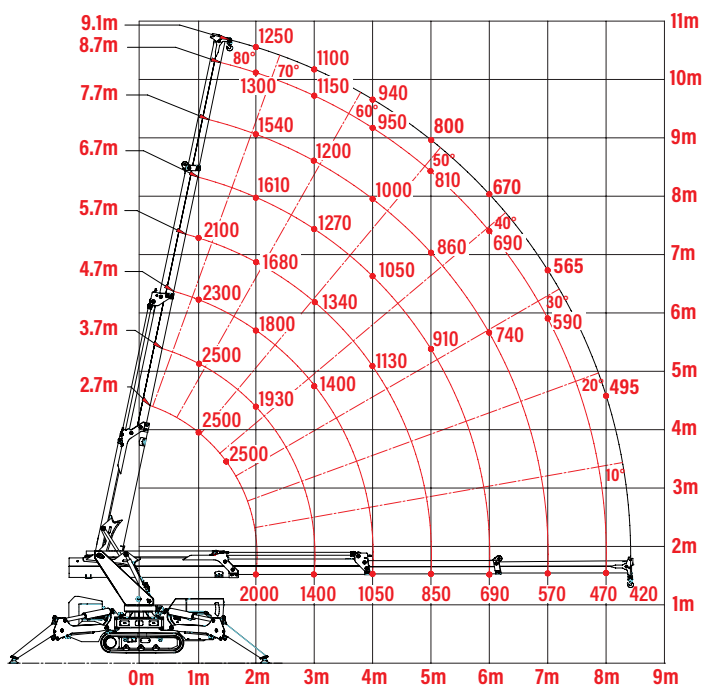
Minimum outriggers



Maximum outriggers



Rated Loads



Rated Loads - Jib

