

# Optimum Strength For

## Oscar 1000 [1000kg]

### Optimum Strength Compact Articulated Robot

The Oscar 1000 offers the ultimate combination of lifting power and class-beating dimensions for effortless installation of glass, facades, window and door elements weighing up to 1000kg.

Controlled with a radio remote, the Oscar 1000 has a telescopic lifting arm and a 360° manually rotating head with a hydraulically powered 180° tilt function for precision handling of sheet materials. With rear wheel drive and a unique lateral sideshift function, the Oscar can slightly adjust its position on the spot to make sure glass is accurately placed for easy installation.

At just 960mm wide, the Oscar 1000 is ideal for reglazing work as it can be operated in tight working areas and can carry materials through narrow access points by swinging loads into an overhead position with its articulated joint.

### Reference Code

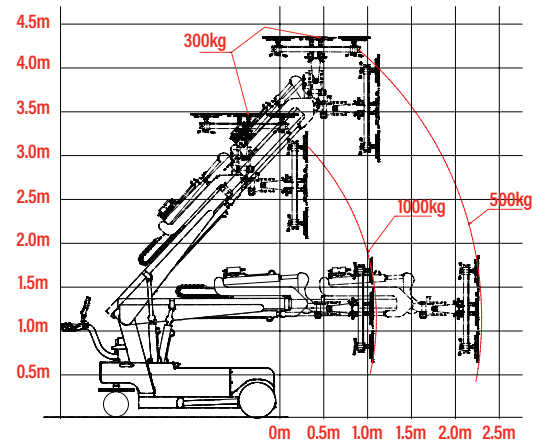
**GRR30**



## Technical Specifications

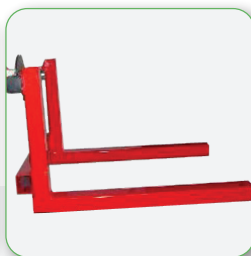
<b>Safe working load</b>	capacity jib 1: capacity jib 2:	1000kg 500kg
<b>Suitable for lifting</b>	material properties: surface: example:	gastight / non-porous smooth glass, plastic boards, ceramic plates
<b>Weight</b>	with counterweights: without counterweights:	1920kg 1425kg
<b>Width</b>	width:	1270mm (960mm)
<b>Travelling length</b>	length:	3229mm
<b>Travelling height</b>	height:	1398mm
<b>Number of suction cups</b>	cups:	6 - 10
<b>Powered head tilt</b>	powered head tilt:	90° up & down
<b>Powered lateral sideshift</b>	powered lateral sideshift:	100mm
<b>Manual pad frame rotation</b>	rotation:	180° lockable left & right
<b>Manual head slew left &amp; right</b>	manual head slew:	90° lockable increments left & right
<b>Powered boom in &amp; out</b>	boom in & out:	1230mm
<b>Vacuum system</b>	dual circuit:	4 pumps, 2 vacuum reserve tanks
<b>Power requirements</b>	rechargeable battery: pump:	110v/240v charger 24v DC (2 x 12v)

## Rated Loads Diagram

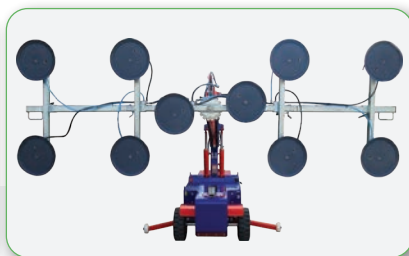




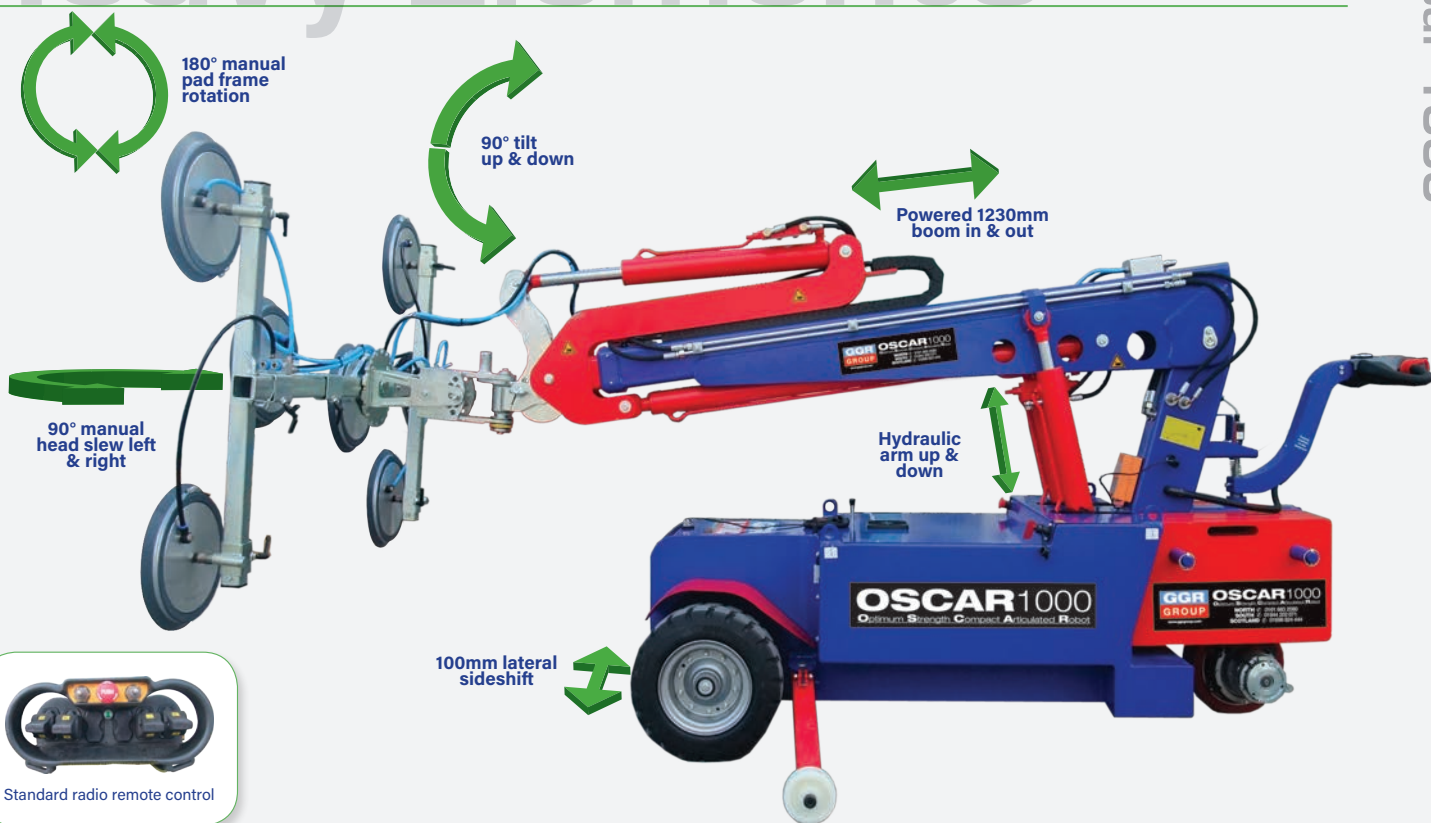
Crane hook option



Optional fork lift attachment



Standard frame extensions



**Technical Data (mm)**

