

Setting A New Standard

Starworker 1600 Trailer Crane [1600kg]

Setting a new standard in trailer cranes, the Starworker 1600 boasts 1600kg of lifting power and a lifting height of up to 30m.

Retaining all the benefits of the original Starworker 1200 model, the Starworker 1600 offers a bigger lifting capacity and greater flexibility with a generous 22.5m working radius.

The Starworker 1600 is ideally suited for working on sloping surfaces thanks to telescopic legs which can be extended on one side and also features a new automatic self-levelling mechanism which allows the crane to move itself into a perfectly horizontal position at the simple push of a button.

Special features include a retractable towbar which reduces the overall set up length by 2m - an important advantage when working on narrow construction sites.

This crane can be powered by diesel, petrol or 220v mains electric for fume-free environments. Hydraulic jib and radio remote control are provided as standard.

Reference Code
MCO28



Optional working basket

Key Features

- Capacity: 1600kg
- Heavy duty wheel drive
- Fold-away, hydraulic telescopic outriggers
- Auto-levelling system on outriggers
- Retractable tow bar
- Rear axle can be raised and set to avoid scraping
- Slide-out engine for easy maintenance
- Triple jockey wheel
- Radio remote control with digital feedback
- Safe load limiter
- Powered by diesel/petrol or 220v electric for fume-free environments

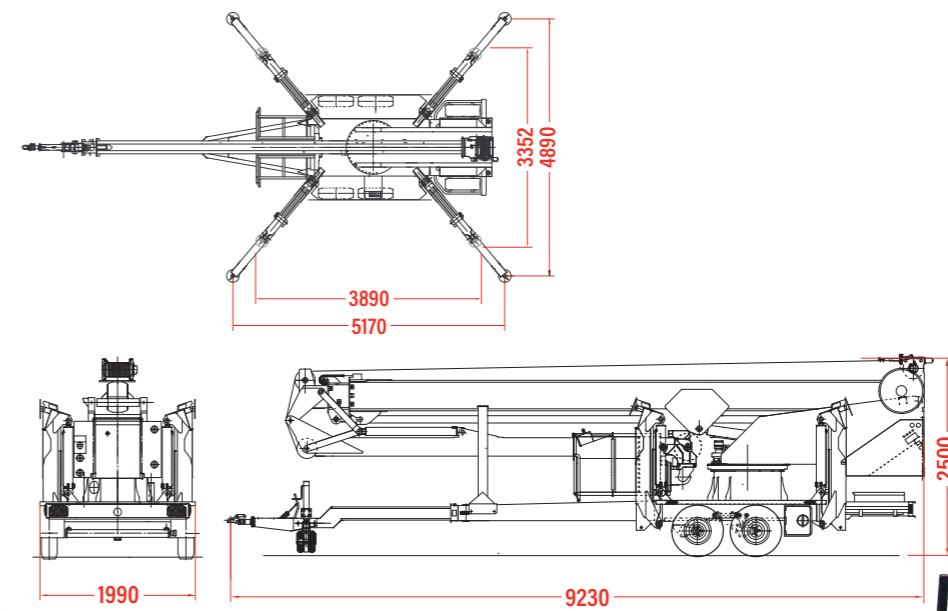


Starworker radio remote control

Technical Specifications

Maximum capacity	1600kg
Maximum working radius	22.5m
Maximum hook height	30m
Derricking angle main boom	0° - 83°
Derricking angle luffing jib	0° - 173°
Hook speed	0 - 50m/min
Luffing jib maximum height	9.2m
Slewing angle	360° (continuous)
Transport width	1990mm
Transport height	2450mm
Transport length	8880mm
Engine	Yanmar / Honda
Fuel	diesel / petrol / 220v electric
Weight	3950kg approx. (without basket)
Standard equipment	radio remote with feedback, hydraulic luffing jib
Optional equipment	pallet fork, lifting bucket, working basket (27m working height and 250kg capacity), remote controlled wheel drive (lifts one axle)

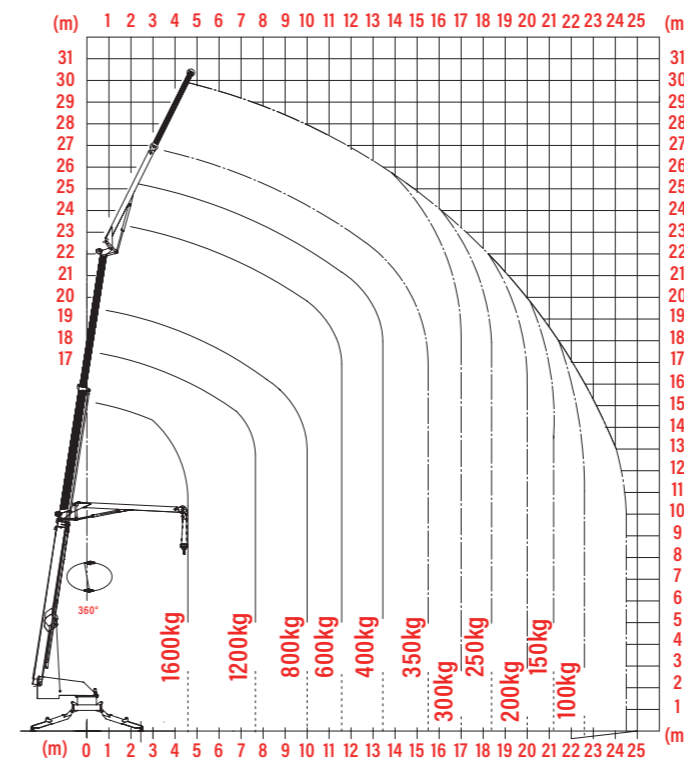
Technical Data (mm)



Option To Shorten By 2m



Rated Loads (hydraulic luffing jib)



Man Basket Working Range

