

Glass Vacuum Lifters

Powerful Quad-Circuit

Kombi 7441-Quadra [1125kg]

The Kombi 7441-Quadra glass lifter is a safe pair of hands for moving heavy and unusually shaped glass loads as it uses **four independent vacuum circuits** and a multi-configurable frame to lift up to 1125kg.

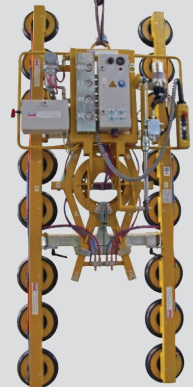
A maximum of twelve suction pads and four arm extensions can be added to this versatile lifter, with the ability to isolate each pad. The Kombi 7441-Quadra also offers a stepless 90° hydraulic powered tilt function and manual 100° left and right rotation for easy handling and installation of glazed units with an optional radio remote control.

Key Features

- Capacity: 1125kg (dependant on configuration)
- Four circuit vacuum system with reserve tank, non-return valve and vacuum gauge for each circuit
- Powered hydraulic 90° tilt from horizontal to vertical
- Manual 100° left & right lockable rotation
- 12v rechargeable battery with external 110/240v charger
- Quick change battery system (spare battery)
- Audio-visual low vacuum warning
- Cable remote as standard, optional radio remote
- Individual pads can be isolated to accommodate irregular shapes (reduces safe working load)

Reference Code

VGL59

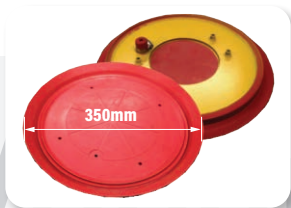


Optional curved kit available.
Capacity: 1000kg. Min Radius 5m Convex.
Code: VGL59C

Technical Specifications

Safe working load (smooth, clean surface at 60% vacuum)	capacity:	1125kg	750kg	500kg
Number of suction cups	cups:	12	8	6
Suction cup	description:	red rubber, not abrasion resistant		
Suction cup diameter	diameter:	350mm		
Suitable for lifting	material properties:	gastight / non-porous		
	surface:	smooth		
	example:	glass, plastic boards, ceramic plates, sheet metals, coated boards		
Weight of lifter	approx:	157kg (with 12 pads)		
Depth of lifter	depth:	300mm		
Rotation	rotation:	100° manual left & right		
Tilt	tilt:	90° powered hydraulic		
Vacuum system	quad circuit:	1 pump, 4 vacuum reserve tanks		
Voltage	pump:	12v DC from rechargeable battery		
	battery charger:	110v/240v 50/60Hz single phase factory selectable (external)		
Standard accessories	standard:	cable remote control, four extension arms		
Optional accessories	optional:	radio remote control, curved kit (VGL59C)		

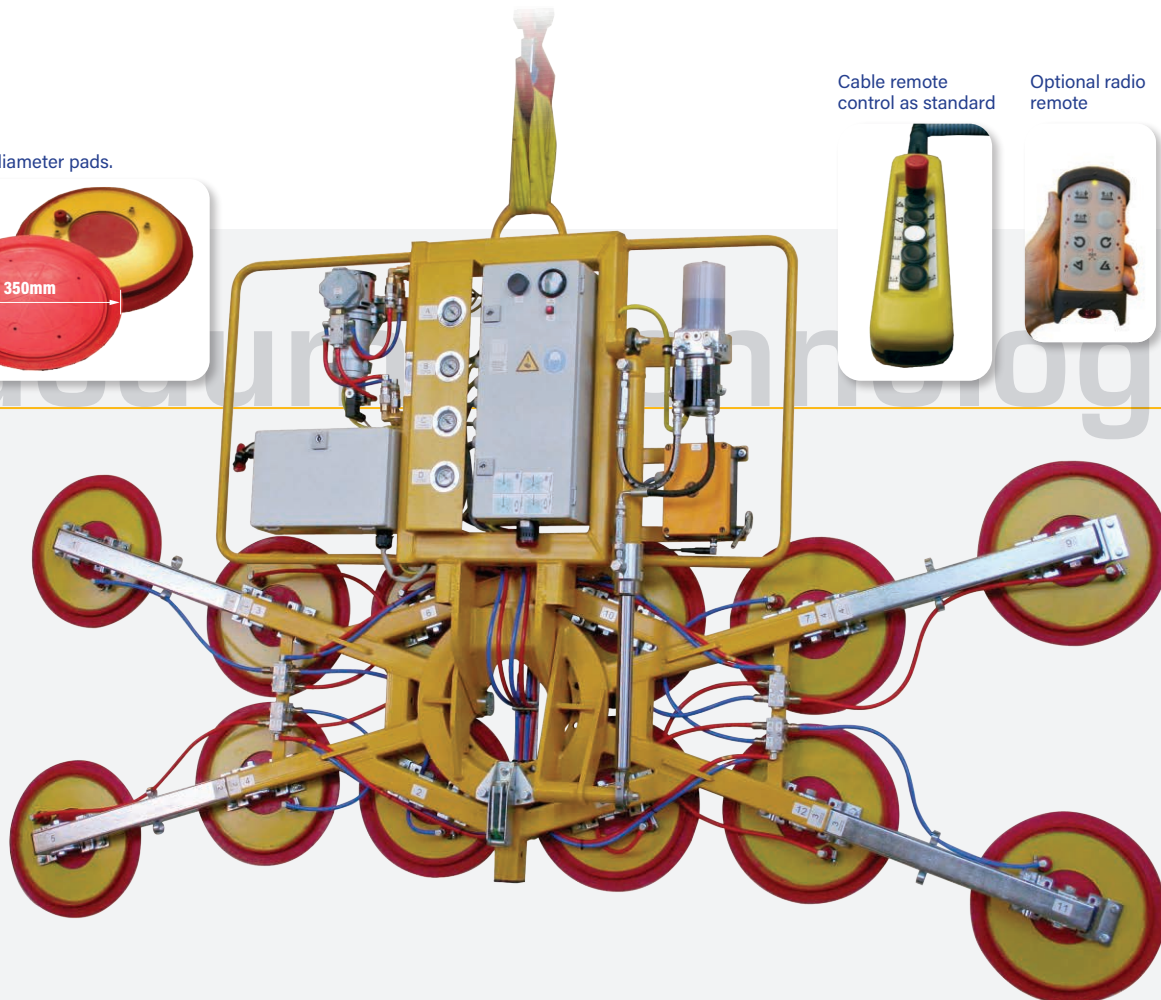
350mm diameter pads.



Cable remote control as standard

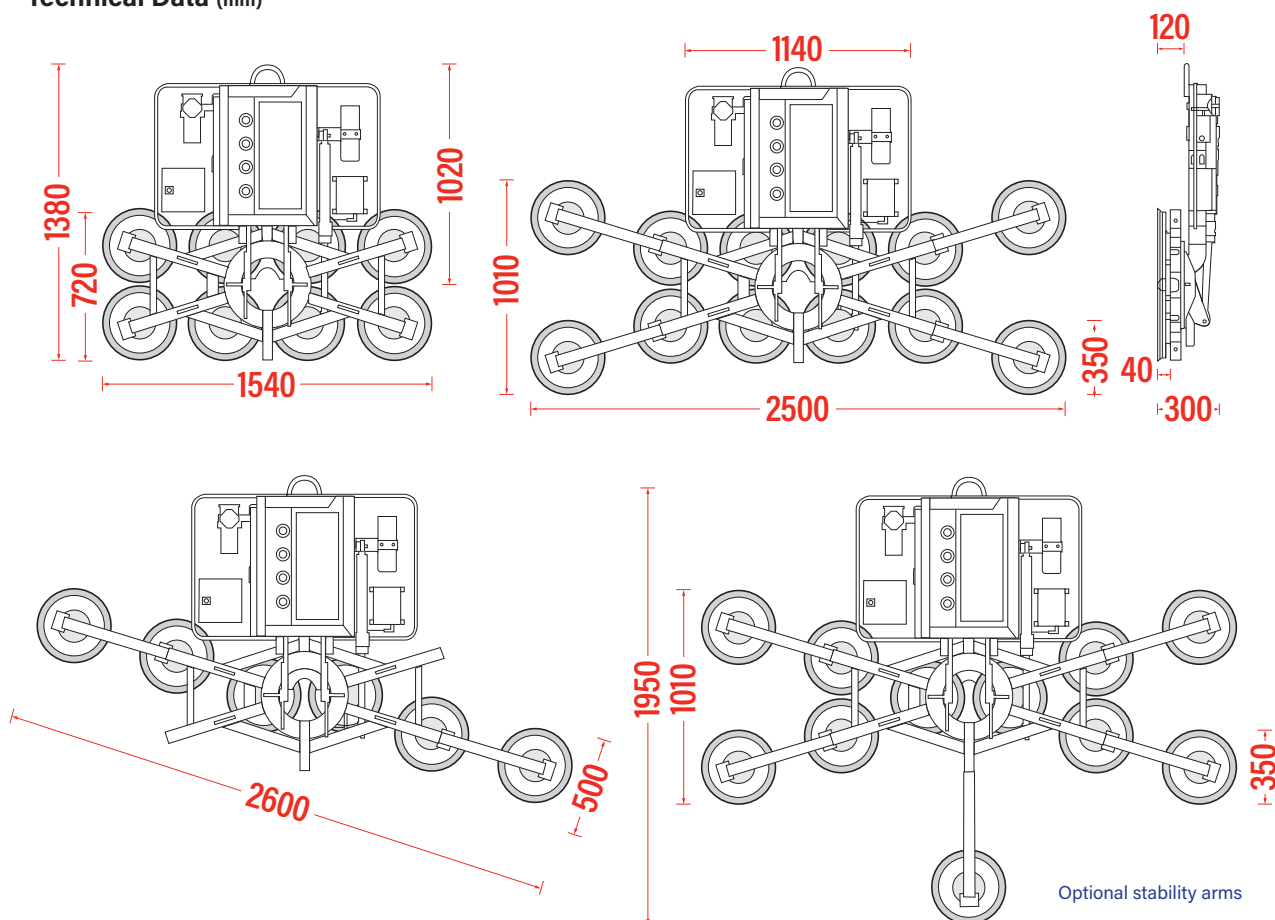


Optional radio remote



Kombi 7441-Quadra

Technical Data (mm)



Optional stability arms