

Lifting Solutions

Slewboy 300/500 Foldable

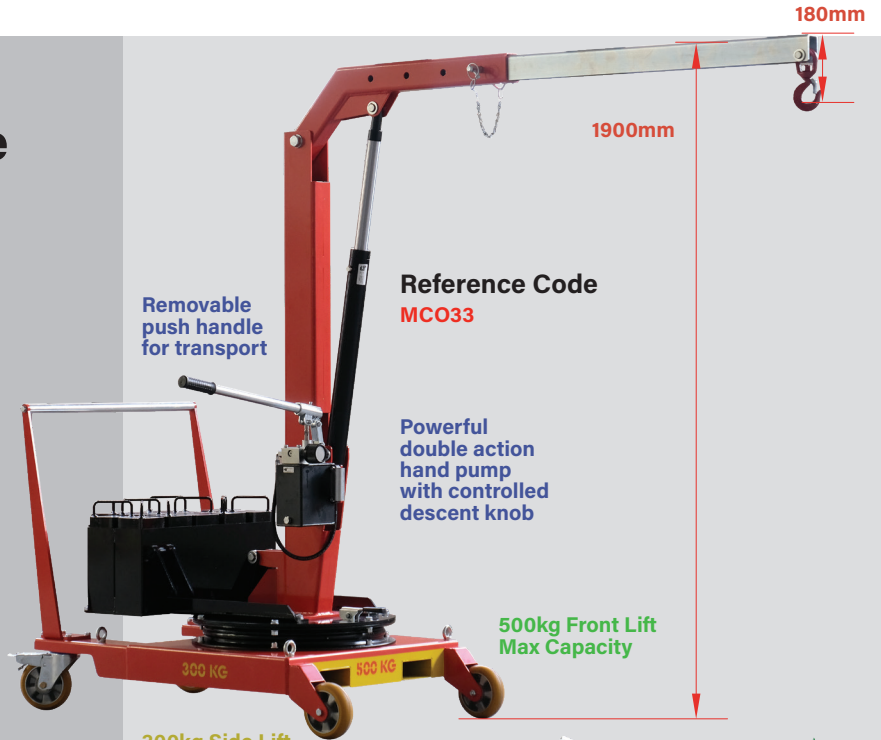
[300 (side lift) & 500kg (front lift)]

The Slewboy 300/500 Foldable takes the proven features of the original Slewboy 500 and offers even more portability with the addition of a foldable mast.

Featuring a maximum capacity of 500kg when lifting at the front and up to 300kg when side lifting, the Slewboy 300/500 Foldable is perfect for installation projects in restricted access sites. With built-in fork lift points, removable counterweights, and a slim chassis width of 779mm, this manoeuvrable floor crane is suitable for transporting in a standard work van, offering easy loading/offloading for users.

The ability to slew 90° left and right of centre with 8 lockable positions, the Slewboy 300/500 Foldable is ideal for glazing projects such as offices, balconies, low level overhangs, shopping centres and other places where other cranes are unable to fit.

An optional long arm extends the maximum front outreach from 770mm to 1270mm (capacity reduced), and lateral outreach from 892mm to 1389mm (capacity reduced). The Slewboy 300/500 is compatible for use with GGR Group's wide range of below-the-hook vacuum lifters.



Removable push handle for transport

Reference Code
MCO33

Powerful double action hand pump with controlled descent knob

500kg Front Lift Max Capacity

300kg Side Lift Max Capacity



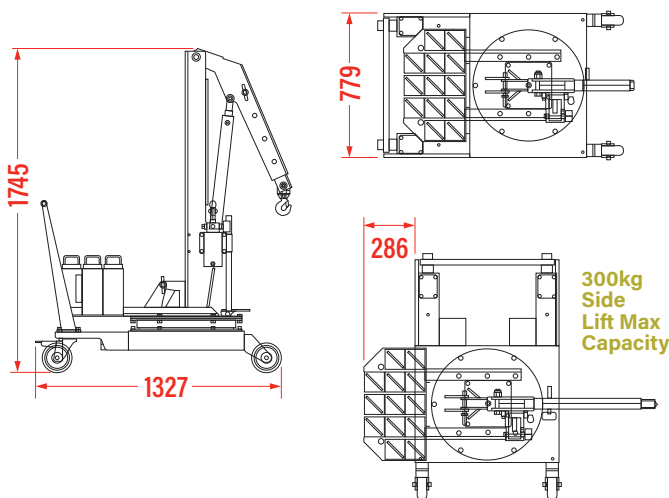
Folds down to just 1157mm in height

300kg Side Lift Max Capacity

Technical Specifications

	Short Arm Capacity	Short Arm Extension	Long Arm Capacity	Long Arm Extension
Pos 1 front/side	500/300kg	365/487mm	220/132kg	865/987mm
Pos 2 front/side	420/252kg	500/622mm	200/120kg	1000/1122mm
Pos 3 front/side	370/222kg	635/757mm	180/108kg	1135/1254mm
Pos 4 front/side	320/192kg	770/892mm	160/96kg	1270/1389mm
Weight	242kg (without counterweights), 528kg (with 13 counterweights)			

Technical Data (mm)



Please Note: All counterweights must be secured to achieve maximum capacity. Arm Lengths are from Hook to Chassis.

500kg Front Lift Max Capacity

Max Hook Height:
Standard Arm: 2530mm
Long Arm: 2800mm



Forklift and tie down points are included

500kg Front Lift Max Capacity