

A Highly Adaptable Floor

GML500+ Floor Crane [500kg]

The 500kg capacity GML500+ as standard comes with a crane hook attachment for lifting items with slings or a below-the-hook lifter but it also features its own optional vacuum lifter to easily manipulate glass and non-porous materials into place.

The 350kg capacity optional vacuum lifter benefits from a 90° powered tilt function, 15° slew left and right and 360° continuous powered rotation, this machine can be used to help lift and install vertical and horizontal glazing.

The GML500+ can easily be assembled and disassembled for use in hard to reach areas and with the VGL98 vacuum lifter, it's the perfect solution for installing and replacing canopy glazing and sky lights. Its compact frame also makes it ideal for working in confined areas.

An optional long reach hook and forks are also available.

Key Features

- Capacity: 500kg / 350kg (with VCL98 vacuum lifter)
- Max lifting height: 8.8m (powered)
- Width: 810mm (outriggers folded), 2800mm (outriggers out)
- Vacuum head tilt: 90° powered
- Vacuum head rotation: 360° powered
- Weight: 702kg (with standard hook), 846kg (with lifter and extension arms)

Reference Code

GML500+ with hook: **MCO18**

Optional vacuum lifter: **VGL98**



The GML500+ can also be used with its own optional glass vacuum lifter with radio remote for total control when glazing at height. The maximum capacity is reduced if using the VGL98 Glass Vacuum Lifter to 350kg.

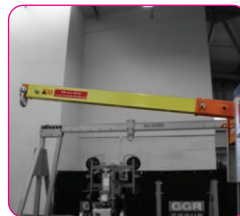
Technical Specifications

Capacity	500kg (with standard hook)
Working length	2200mm
Max lifting height (powered)	8.8m
Weight	702kg (as standard)
Weight (with vac lifter)	846kg (inc. extension arms)
Vacuum Head Tilt	90° powered
Vacuum Head Rotation	360° powered
Power requirements	Battery or mains powered 110/230v
Standard accessories	cable remote for boom raising & lowering
Optional accessories	200kg capacity 1.2m long jib, 500kg capacity hook, 500kg capacity forks, 350kg capacity glass vacuum lifter

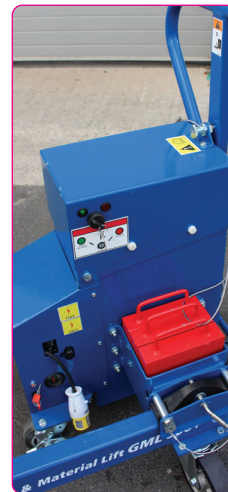
Crane hook (as standard) (500kg capacity)



Optional 1.2m long jib (150kg capacity)



Battery or mains powered 110/230v



Optional forks (500kg capacity)



Cable remote for boom raising & lowering



Optional fork lift points for ease of transportation



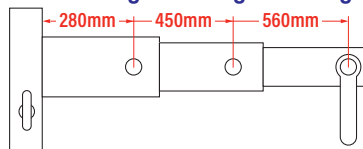
Maximum lifting height of 8.8m (with hook)

Radio remote for vacuum lifter



Hook Rated Loads

Position ① 500kg Position ② 500kg Position ③ 407kg



Fork Rated Loads

Wheel To Load Centre (mm)

280	360	410	450	610	810	1060
500	500	500	500	500	420	340

Capacity (kg)

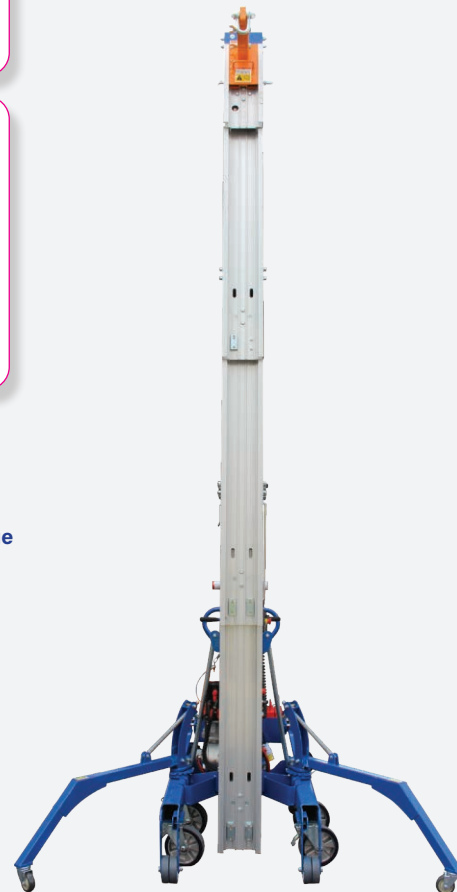
Narrow Profile: 810mm Wide

Powered boom raising and lowering via cable remote control

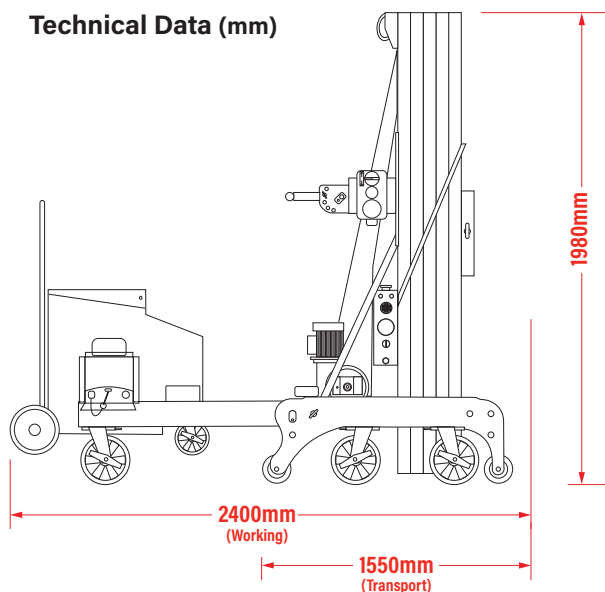
- 3 Modes Of Power:**
- Battery
 - Battery While On Charge
 - 110/230v

Outriggers unfolded: 2800mm Wide

Multi-positional outriggers for total control and versatility



Technical Data (mm)



Technical Data - Vacuum Lifter Frame (mm)

