

Robots & Overhang Beams



Sky Robot 1500 [1500kg]

A UK first, the Sky Robot 1500 is an all-electric boom-lift glass installation robot that can reach up to a massive working height of 26.16m with 1200kg glass or up to 21.93m with glazing units that weigh up to 1500kg all on a 360° continuous rotating base.

Being fully powered by a rechargeable 80v 520Ah lithium battery the Sky Robot 1500 produces no noise, zero emissions and no pollution, making it a truly environmentally friendly machine.

One of the stand-out features of this powerful glazing robot is the fully articulating 3D head that can rotate 360°, tilt 90° up and 30° down and slew 80° left and right*. With a 200mm vertical and horizontal side shift function, it allows millimetre precise installation for operators. The extendable arms of the built-in vacuum lifter complete with 8 independent suction cups running on a dual circuit system allow operators to lift loads of different sizes with ease.

Coming with low marking tyres as standard this robot is perfect for working in areas with sensitive flooring such as shopping centres, warehouses, factories, and other indoor or outdoor environments.

With the Sky Robot 1500 being fully controlled by radio remote, operators can use all functions via the easy-to-use controller, a 6km/h top speed, a small turning radius of just 3.22m with an ability to traverse 3° slopes gives the Sky Robot 1500 manoeuvrability, speed, and adaptability.

Reference Code GRG50



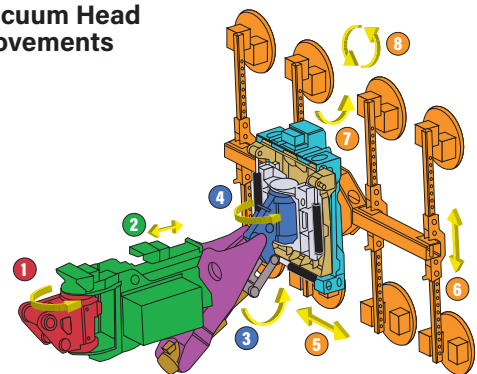
Technical Specifications

Safe working load	800kg	1200kg	1500kg		
Max working height	Horizontal glazing	26.16m*	22.84m*	26.16m**	21.93m**
	Vertical glazing	23.59m*	20.26m*	23.59m**	19.62m**
Maximum working radius	13.95m*	11.85m*	10.85m**		
Minimum turning circle (in/out)	1.87m / 3.22m				
Vacuum pads	8 x independent vacuum pads				
Gradeability (stowed)	30%				
Maximum slope	3°				
Max wind speed	12.5m/s				
Turntable rotation & tailswing	360° continuous & 1.61m tailswing				
Wheelbase	2.8m				
Weight	19,500kg				
Drive speed	6 km/h (stowed) / 1.1km/h (raised or extended)				
Drive motor	18Kw @ 3243rpm				
Lifting motor	24Kw @ 2150rpm				
Power	80v 520Ah lithium battery				
Charger	110v 32A built-in charger				

Standard accessories

radio remote control, tilt alarm, descent & motion alarm, flashing beacon, horn, hour meter, turntable lock, load sense system, harsh environment kit (cylinder protector, boom dust kit, ground control box cover)

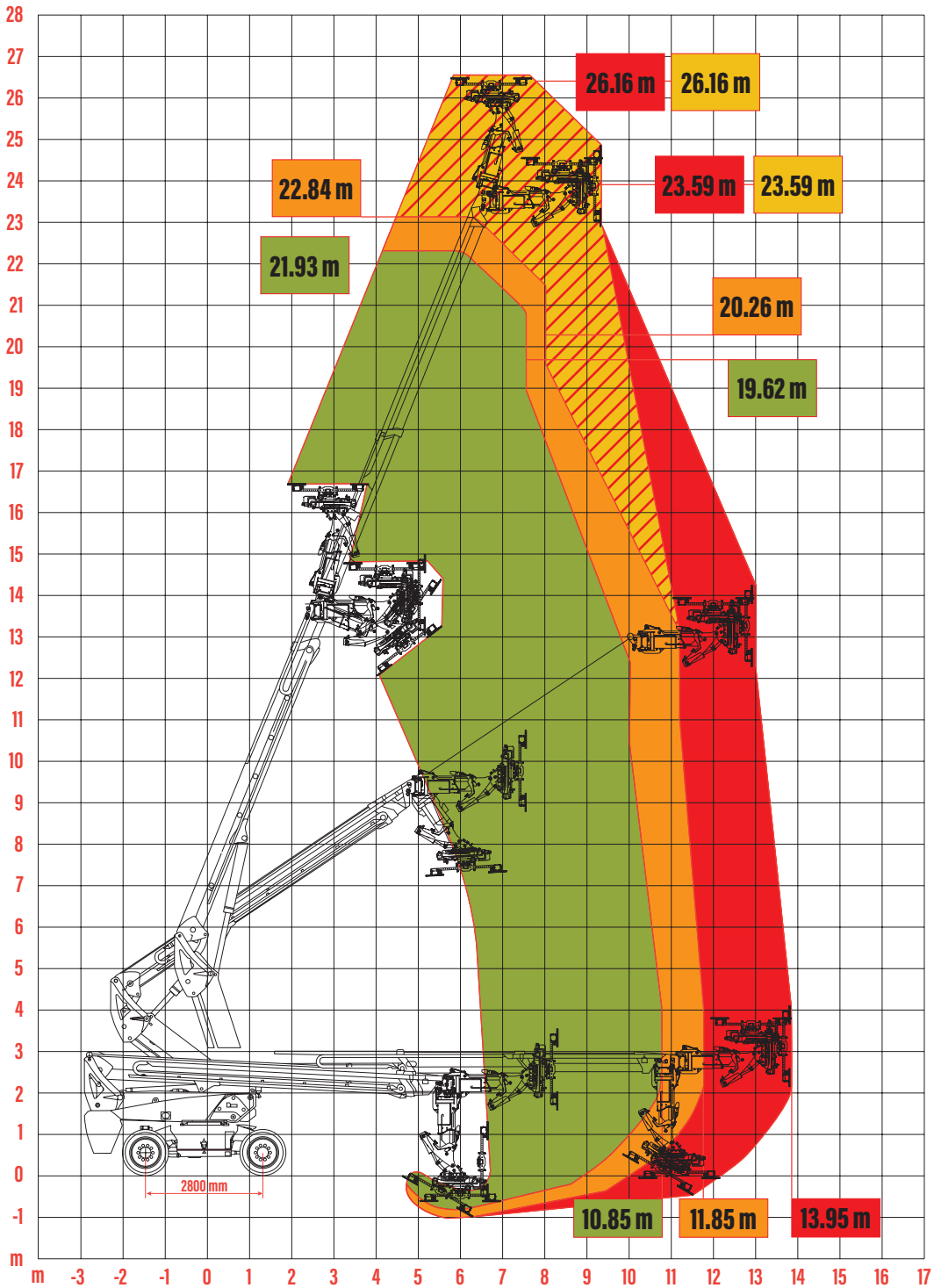
Vacuum Head Movements



N°	Movement Name	Movement Amount
1	Elbow Slewing	up to +/- 80° left & right*
2	Elbow Telescoping	up to 300mm***
3	Wrist Tilting	-90° / +30°
4	Wrist Slewing	60° left & right
5	Lateral Sideshift	200mm
6	Vertical Sideshift	200mm
7	Head Tilting	-90° / +82.5°****
8	Head Rotation	360° continuous

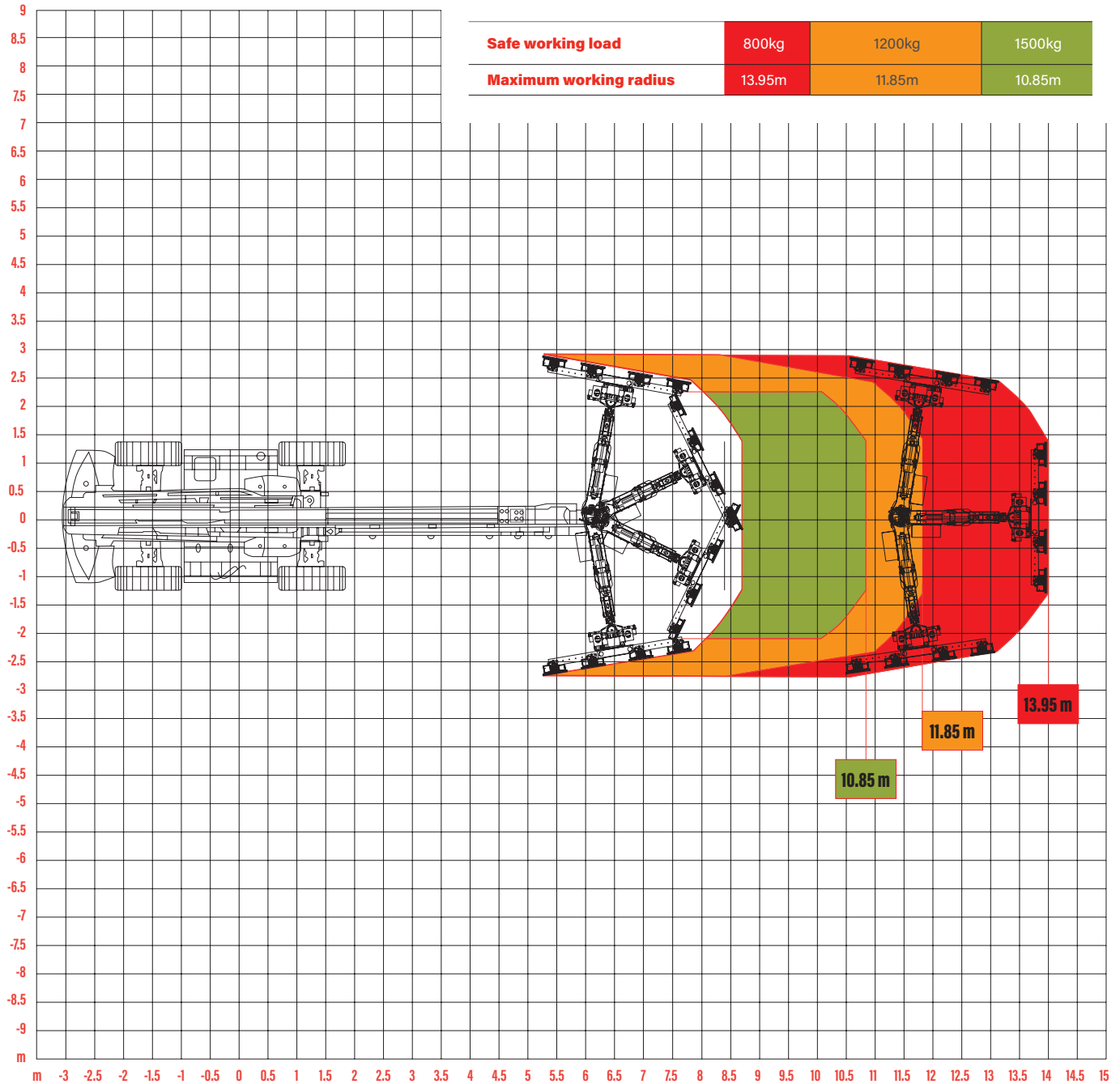
* Elbow Slewing of +/- 80° is only possible on loads & heights in red and dark orange in the Technical Specifications table.
 ** Elbow Slewing is restricted to +/- 15° for loads & heights in orange and green in the Technical Specifications table.
 *** Elbow Telescoping to 300mm is only on loads up to 1200kg, loads above that weight telescoping is restricted to 100mm.
 **** Head Tilting -90° - 82.5° is co-ordinated by the main boom luffing.

Rated Loads



Robots & Overhang Beams

Rated Loads



The Sky Robot 1500 is charged via a 110v 32A charger



The control panel on the machine has a built-in display showing modes and capacities.

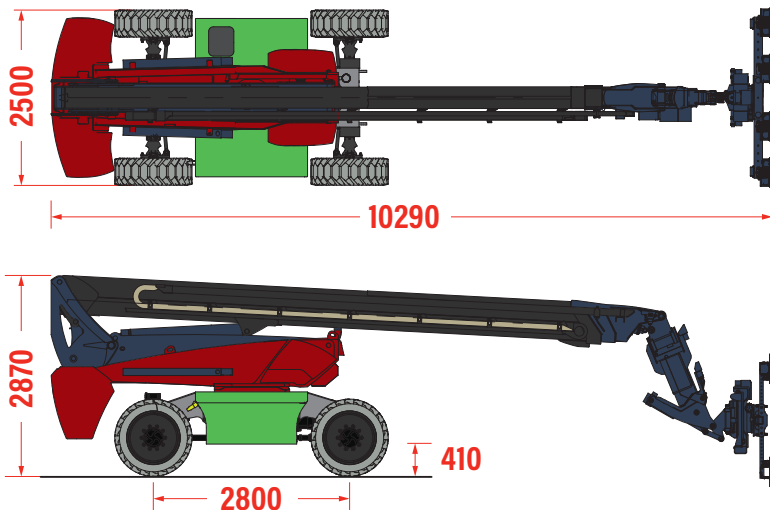


The Sky Robot 1500 comes with 8 black rubber vacuum pads to provide safe and reliable suction power.

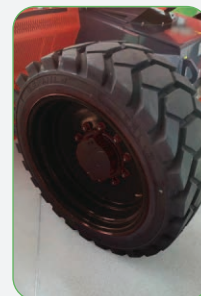


The adjustable arms of the Sky Robot 1500 allow operators to lift glass of various sizes up to 1500kg in weight

Technical Data (mm)



Low marking tyres come as standard

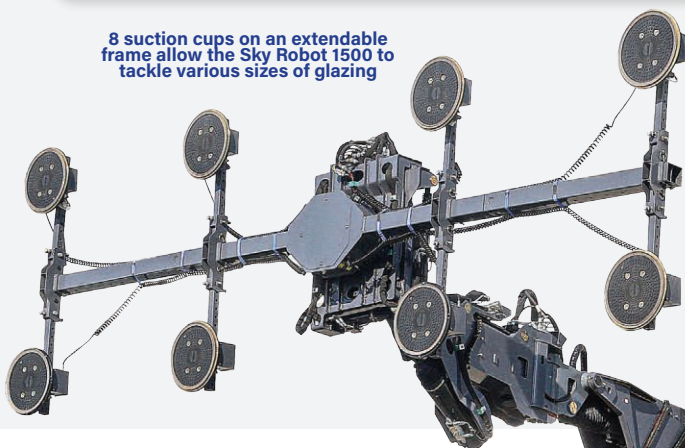


Optional normal tyres



The Sky Robot 1500 is controlled by a high precision radio remote control

8 suction cups on an extendable frame allow the Sky Robot 1500 to tackle various sizes of glazing



The Sky Robot 1500 has a maximum working radius of 13.95m and a maximum lifting height of 26.16m (capacity reduced)

The 360° turntable offers users the ability to pick up, rotate and install in a small working area



Four wheel drive and steering gives operators reliable grip and power